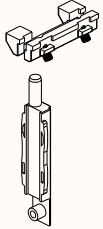
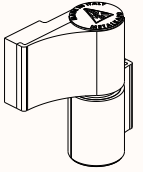
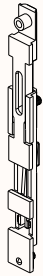
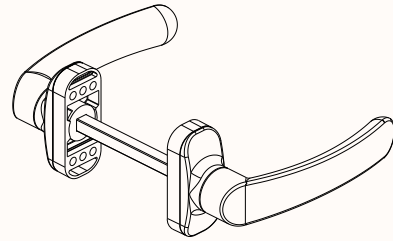


**CERNIERE  
DA PAGINA 20 A 29  
HINGES  
FROM PAGE 20 TO 29  
BISAGRAS  
DE LA PÁGINA 20 A 29**

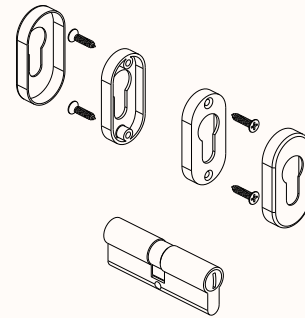
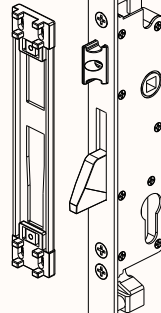


**LIMITATORI DI APERTURA  
A PAGINA 35  
OPENING LIMITERS  
ON PAGE 35  
LIMITADORES DE APERTURA  
EN LA PÁGINA 35**

**DOPPIE MANIGLIE  
DA PAGINA 17 A 19  
HINGES  
FROM PAGE 17 TO 19  
BISAGRAS  
DE LA PÁGINA 17 A 19**

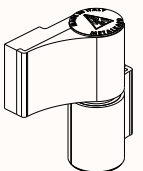
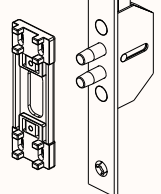
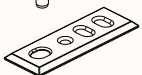
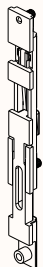


**SERRATURE E CONTROPIASTRE  
DA PAGINA 2 A 13  
LOCKS AND STRIKERS  
FROM PAGE 2 TO 13  
CERRADURAS Y CERRADERO  
DE LA PÁGINA 2 A 13**



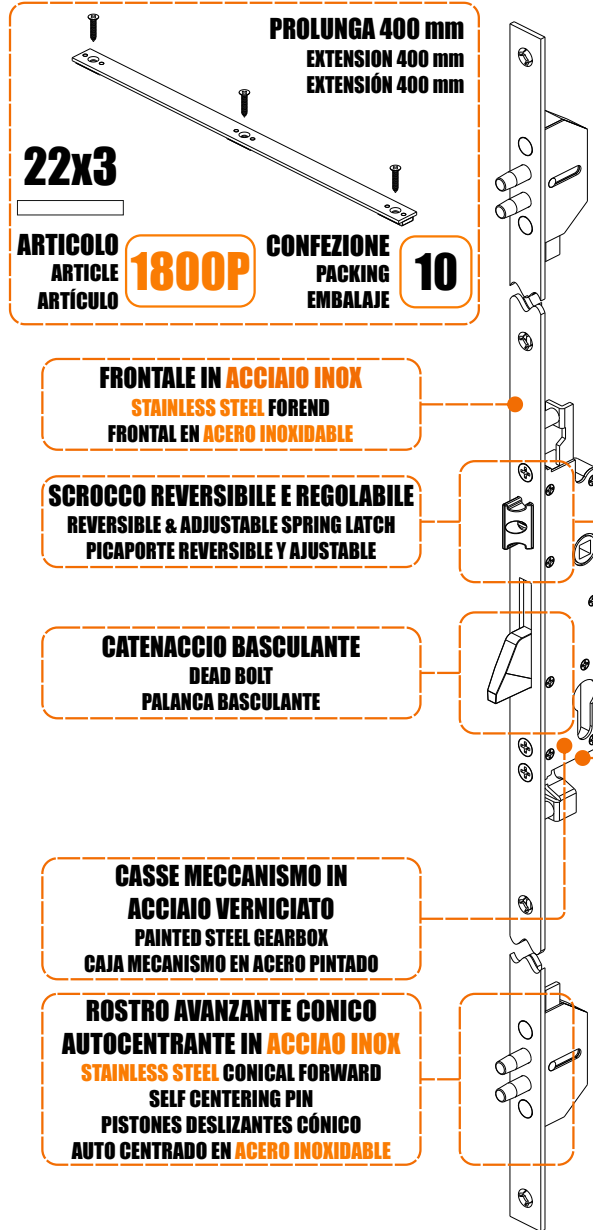
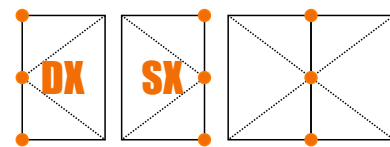
**CATENACCI E INCONTRI  
DA PAGINA 30 A 34  
BOLTS AND STRIKERS  
FROM PAGE 30 TO 34  
PASADOR Y CERRADERO  
DE LA PÁGINA 30 A 34**

**CILINDRI E COPRICILINDRI  
DA PAGINA 14 A 16  
CYLINDERS AND CYLINDER COVERS  
FROM PAGE 14 TO 16  
CILINDROS Y TAPA DEL CILINDRO  
DE LA PÁGINA 14 A 16**



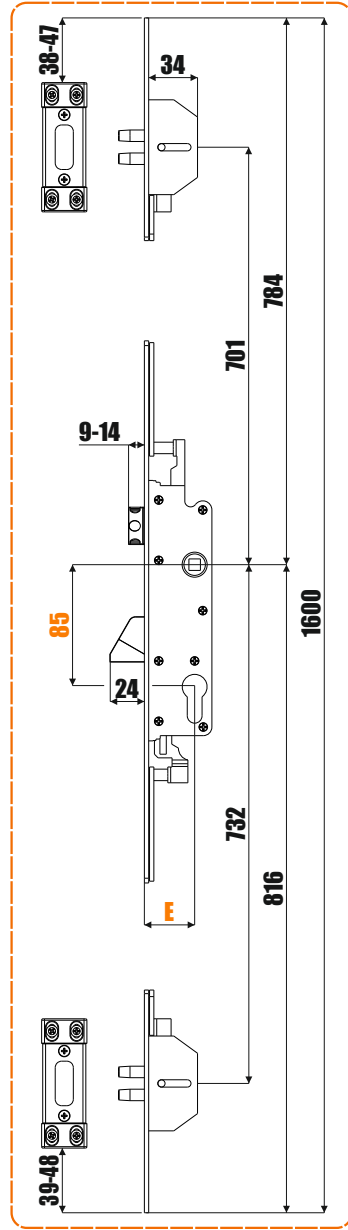
**SERRATURA A 5 PUNTI DI CHIUSURA  
LOCK WITH 5 CLOSING POINTS  
CERRADURA CON 5 PUNTOS DE CIERRE**

**HIGH END PLUS**



**SERRATURE-LOKS-CERRADURAS**

ARTICOLO ARTICLE ARTÍCULO	ENTRATA BACKSET ENTRADA	FRONTALE FOREND FRONTAL	CONFEZIONE PACKING EMBALAJE
<b>1800.30</b>	<b>30</b>	<b>22x3</b>	<b>1</b>
<b>1800.35</b>	<b>35</b>		
<b>1800.30U</b>	<b>30</b>	<b>24x6</b>	
<b>1800.35U</b>	<b>35</b>		



**FRONTALE IN ACCIAIO INOX**  
STAINLESS STEEL FOREND  
FRONTAL EN ACERO INOXIDABLE

**SCROCCO REVERSIBILE E REGOLABILE**  
REVERSIBLE & ADJUSTABLE SPRING LATCH  
PICAPORTE REVERSIBLE Y AJUSTABLE

**CATENACCIO BASCULANTE**  
DEAD BOLT  
PALANCA BASCULANTE

**CASSE MECCANISMO IN ACCIAIO VERNICIATO**  
PAINTED STEEL GEARBOX  
CAJA MECANISMO EN ACERO PINTADO

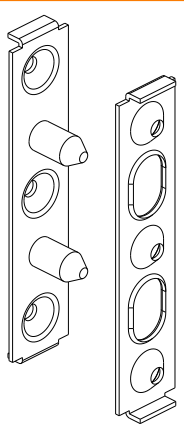
**ROSTRO AVANZANTE CONICO AUTOCENTRANTE IN ACCIAIO INOX**  
STAINLESS STEEL CONICAL FORWARD SELF CENTERING PIN  
PISTONES DESLIZANTES CÓNICO AUTO CENTRADO EN ACERO INOXIDABLE

**RULLO INTERCAMBIABILE**  
INTERCHANGEABLE ROLLER  
RODILLO INTERCAMBIABILE

ARTICOLO  
ARTICLE  
ARTÍCULO **1800R** CONFEZIONE  
PACKING  
EMBALAJE **10**

**CASSA RIDOTTA**  
REDUCED GEARBOX  
CAJA REDUCIDA

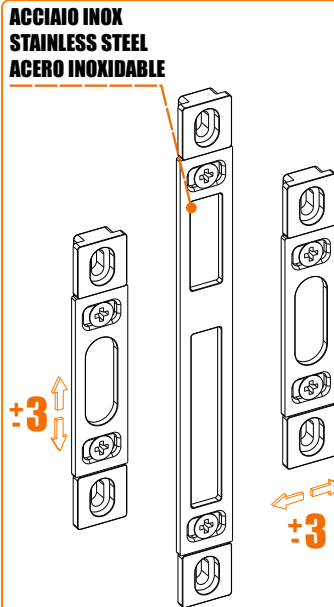
**ROSTRO-ANTILIFT-ANTIPALANCA**



ARTICOLO ARTICLE ARTÍCULO	PROFILO PROFILE PERFIL	CONFEZIONE PACKING EMBALAJE
<b>1800.S1</b>	CAMERA EUROPEA EUROPEAN CHAMBER CAMARA EUROPEA	<b>10</b>
<b>1800.S2</b>	CAMERA ERRE 40 ERRE 40 CHAMBER CAMARA ERRE 40	
<b>1800.S3</b>	CAMERA ERRE 50 ERRE 50 CHAMBER CAMARA ERRE 50	
<b>1800.S4</b>	NNC 40-SISTEMA 1	
<b>1800.S5</b>	PROFILI IN FERRO IRON PROFILES PERFIL DE HIERRO	
<b>VEDI LISTA SEE LIST VER LISTA</b>	PROFILI PORTA DOOR PROFILES PERFIL DE PUERTA	

**ACCIAIO INOX**  
STAINLESS STEEL  
ACERO INOXIDABLE

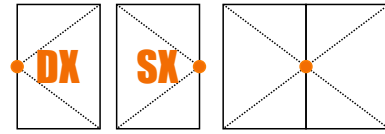
**CONTROPIASTRE-STRIKERS-CERRADEROS**



ARTICOLO ARTICLE ARTÍCULO	PROFILO PROFILE PERFIL	CONFEZIONE PACKING EMBALAJE
<b>1800.R1</b>	CAMERA EUROPEA E NC INT EUROPEAN CHAMBER & NC INT CAMARA EUROPEA Y NC INT	<b>10</b>
<b>1800.R2</b>	CAMERA ERRE 40 ERRE 40 CHAMBER CAMARA ERRE 40	
<b>1800.R3</b>	CAMERA ERRE 50 ERRE 50 CHAMBER CAMARA ERRE 50	
<b>1800.R4</b>	NNC 40-SISTEMA 1	
<b>1800.R5</b>	CAMERA EUROPEA 15/12 14.5/10 EUROPEAN CHAMBER 15/12 14.5/10 CAMARA EUROPEA 15/12 14.5/10	
<b>1800.R6</b>	PROFILI IN FERRO IRON PROFILES PERFIL DE HIERRO	
<b>VEDI LISTA SEE LIST VER LISTA</b>	PROFILI PORTA DOOR PROFILES PERFIL DE PUERTA	

**SERRATURA A 1 PUNTO DI CHIUSURA**  
**LOCK WITH 1 CLOSING POINT**  
**CERRADURA CON 1 PUNTO DE CIERRE**

**HIGH END**  
**MEDIUM**

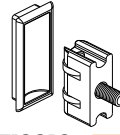
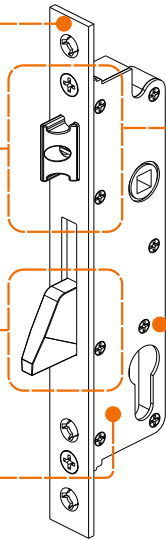


**FRONTALE IN ACCIAIO INOX**  
**STAINLESS STEEL FOREND**  
**FRONTAL EN ACERO INOXIDABLE**

**SCROCCO REVERSIBILE E REGOLABILE**  
**REVERSIBLE & ADJUSTABLE SPRING LATCH**  
**PICAPORTE REVERSIBLE Y AJUSTABLE**

**CATENACCIO BASCULANTE**  
**DEAD BOLT**  
**PALANCA BASCULANTE**

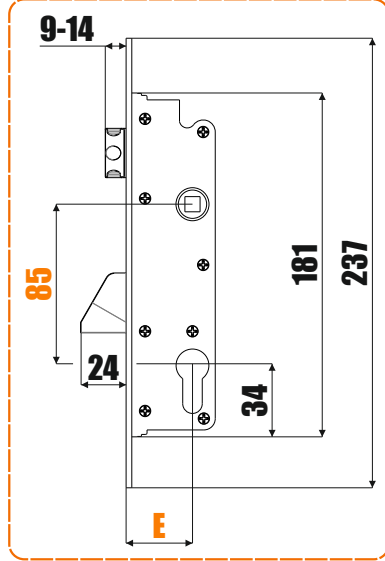
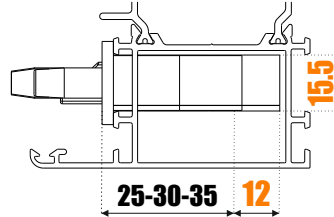
**CASSE MECCANISMO IN ACCIAIO VERNICIATO**  
**PAINTED STEEL GEARBOX**  
**CAJA MECANISMO EN ACERO PINTADO**



**RULLO INTERCAMBIABILE**  
**INTERCHANGEABLE ROLLER**  
**RODILLO INTERCAMBIABILE**

**ARTICOLO**  
**ARTICLE**  
**ARTÍCULO** **1800R** **CONFEZIONE**  
**PACKING**  
**EMBALAJE** **10**

**CASSA RIDOTTA**  
**REDUCED GEARBOX**  
**CAJA REDUCIDA**

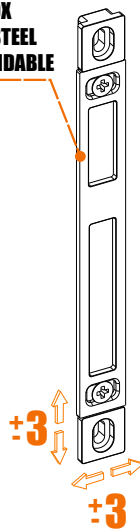


**SERRATURE-LOKS-CERRADURAS**

ARTICOLO ARTICLE ARTÍCULO	<b>E</b> ENTRATA BACKSET ENTRADA	FRONTALE FOREND FRONTAL	CONFEZIONE PACKING EMBALAJE
<b>1801.25</b>	<b>25</b>		
<b>1801.30</b>	<b>30</b>	<b>22x3</b>	<b>10</b>
<b>1801.35</b>	<b>35</b>		

**CONTROPIASTRE-STRIKERS-CERRADEROS**

**ACCIAIO INOX**  
**STAINLESS STEEL**  
**ACERO INOXIDABLE**

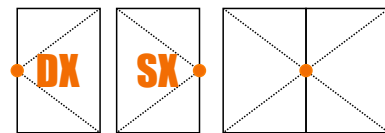


ARTICOLO ARTICLE ARTÍCULO	PROFILO PROFILE PERFIL	CONFEZIONE PACKING EMBALAJE
<b>1801.R1</b>	<b>CAMERA EUROPEA E NC INT</b> EUROPEAN CHAMBER & NC INT CAMARA EUROPEA Y NC INT	<b>10</b>
<b>1801.R2</b>	<b>CAMERA ERRE 40</b> ERRE 40 CHAMBER CAMARA ERRE 40	
<b>1801.R3</b>	<b>CAMERA ERRE 50</b> ERRE 50 CHAMBER CAMARA ERRE 50	
<b>1801.R4</b>	<b>NNC 40-SISTEMA 1</b>	
<b>1801.R5</b>	<b>CAMERA EUROPEA 15/12 14.5/10</b> EUROPEAN CHAMBER 15/12 14.5/10 CAMARA EUROPEA 15/12 14.5/10	
<b>1801.R6</b>	<b>PROFILI IN FERRO</b> IRON PROFILES PERFIL DE HIERRO	
<b>VEDI LISTA</b> SEE LIST VER LISTA	<b>PROFILI PORTA</b> DOOR PROFILES PERFIL DE PUERTA	

**SERRATURA A 1 PUNTO DI CHIUSURA**  
**LOCK WITH 1 CLOSING POINT**  
**CERRADURA CON 1 PUNTO DE CIERRE**

**High END**

**BASIC**

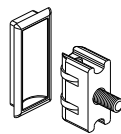
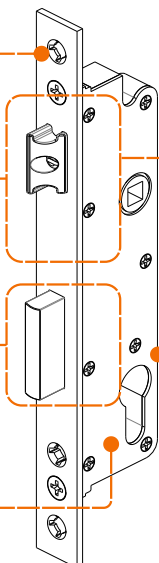


**FRONTALE IN ACCIAIO INOX**  
**STAINLESS STEEL FOREND**  
**FRONTAL EN ACERO INOXIDABLE**

**SCROCCO REVERSIBILE E REGOLABILE**  
**REVERSIBLE & ADJUSTABLE SPRING LATCH**  
**PICAPORTE REVERSIBLE Y AJUSTABLE**

**CATENACCIO AVANZANTE**  
**ADVANCING BOLT**  
**PALANCA DESLIZANTE**

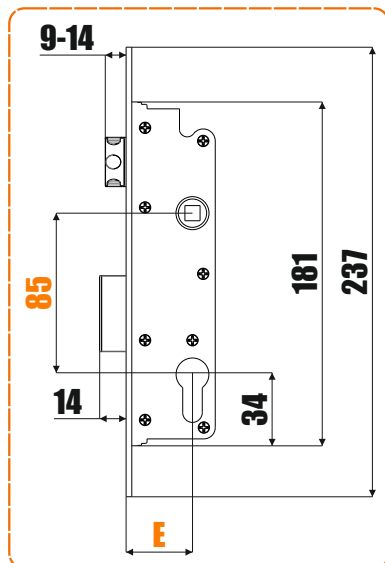
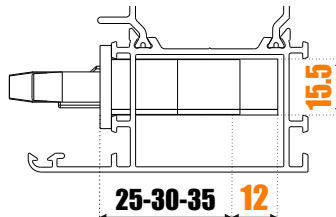
**CASSE MECCANISMO IN ACCIAIO VERNICIATO**  
**PAINTED STEEL GEARBOX**  
**CAJA MECANISMO EN ACERO PINTADO**



**RULLO INTERCAMBIABILE**  
**INTERCHANGEABLE ROLLER**  
**RODILLO INTERCAMBIABILE**

**ARTICOLO**  
**ARTICLE** **1800R** **CONFEZIONE**  
**ARTÍCULO** **PACKING** **10**  
**EMBALAJE**

**CASSA RIDOTTA**  
**REDUCED GEARBOX**  
**CAJA REDUCIDA**



**SERRATURE-LOKS-CERRADURAS**

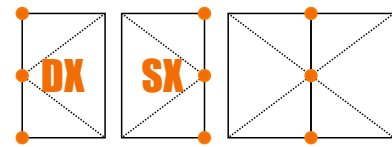
ARTICOLO ARTICLE ARTÍCULO	<b>E</b> ENTRATA BACKSET ENTRADA	FRONTALE FOREND FRONTAL	CONFEZIONE PACKING EMBALAJE
<b>1802.25</b>	<b>25</b>		
<b>1802.30</b>	<b>30</b>	<b>22x3</b>	<b>10</b>
<b>1802.35</b>	<b>35</b>		

**CONTROPIASTRE-STRIKERS-CERRADEROS**

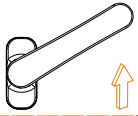
ACCIAIO INOX STAINLESS STEEL ACERO INOXIDABLE	ARTICOLO ARTICLE ARTÍCULO	PROFILO PROFILE PERFIL	CONFEZIONE PACKING EMBALAJE
	<b>1801.R1</b>	CAMERA EUROPEA E NC INT EUROPEAN CHAMBER & NC INT CAMARA EUROPEA Y NC INT	<b>10</b>
	<b>1801.R2</b>	CAMERA ERRE 40 ERRE 40 CHAMBER CAMARA ERRE 40	
	<b>1801.R3</b>	CAMERA ERRE 50 ERRE 50 CHAMBER CAMARA ERRE 50	
	<b>1801.R4</b>	NNC 40-SISTEMA 1	
	<b>1801.R5</b>	CAMERA EUROPEA 15/12 14.5/10 EUROPEAN CHAMBER 15/12 14.5/10 CAMARA EUROPEA 15/12 14.5/10	
	<b>1801.R6</b>	PROFILI IN FERRO IRON PROFILES PERFIL DE HIERRO	
	<b>VEDI LISTA</b> SEE LIST VER LISTA	<b>PROFILI PORTA</b> DOOR PROFILES PERFIL DE PUERTA	
<b>ACCIAIO INOX</b> <b>STAINLESS STEEL</b> <b>ACERO INOXIDABLE</b>   <b>SOLUZIONE ECO</b> <b>CHEAP SOLUTION</b> <b>SOLUCIÓN BARATA</b>	<b>1801.RE1</b>	CAMERA EUROPEA <b>TUTTE</b> EUROPEAN CHAMBER <b>ALL</b> CAMARA EUROPEA <b>TODAS</b>	<b>20</b>

**SERRATURA A 3 PUNTI DI CHIUSURA**  
**LOCK WITH 3 CLOSING POINTS**  
**CERRADURA CON 3 PUNTOS DE CIERRE**

**ATTIVA**



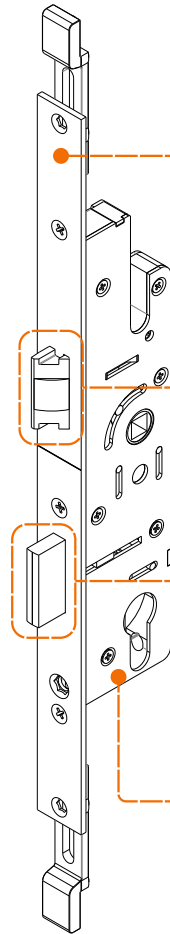
**ATTIVATA DA MANIGLIA**  
**ACTIVATED BY HANDLE**  
**ACTIVADO POR MANILLA**



**INCONTRO CENTRALE INCLUSO**  
**CENTRAL STRIKERS INCLUDED**  
**CERRADEROS CENTRAL INCLUIDO**



**CONTROPIASTRA IN ACCIAIO INOX**  
**STAINLESS STEEL COUNTERPLATE**  
**PLACA EN ACERO INOXIDABLE**

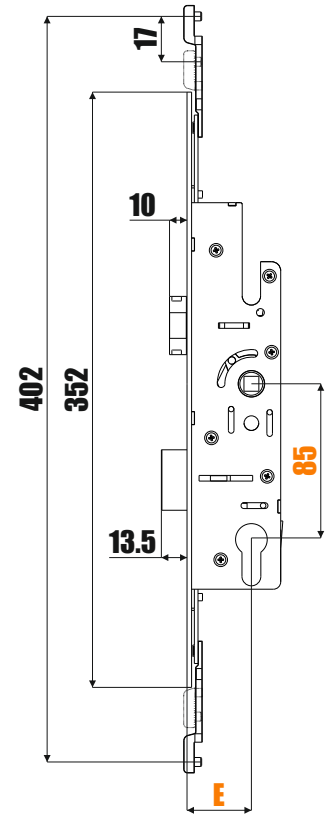


**FRONTALE IN ACCIAIO ZINCATO**  
**GALVANIZED STEEL FOREND**  
**FRONTAL EN ACERO GALVANIZADO**

**SCROCCO REVERSIBILE**  
**REVERSIBLE SPRING LATCH**  
**PICAPORTE REVERSIBILE**

**CATENACCIO AVANZANTE**  
**ADVANCING BOLT**  
**PALANCA DESLIZANTE**

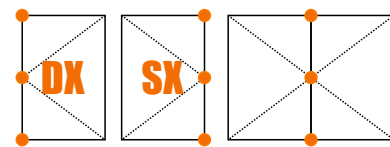
**CASSE MECCANISMO IN ACCIAIO ZINCATO**  
**GALVANIZED STEEL GEARBOX**  
**CAJA MECANISMO EN ACERO GALVANIZADO**



ARTICOLO ARTICLE ARTÍCULO	DIMENSIONI DIMENSIONS DIMENSIONES	PROFILO PROFILE PERFIL	CONFEZIONE PACKING EMBALAJE
<b>1803.1</b>		<b>CAMERA EUROPEA</b> <b>TELAIO 14/18 E NC INT</b> <b>EUROPEAN CHAMBER</b> <b>FRAME 14/18 &amp; NC INT</b> <b>CAMARA EUROPEA</b> <b>MARCO 14/18 Y NC INT</b>	<b>5</b>
<b>1803.2</b>		<b>CAMERA ERRE 40</b> <b>ERRE 40 CHAMBER</b> <b>CAMARA ERRE 40</b>	

**SERRATURA A 3 PUNTI DI CHIUSURA**  
**LOCK WITH 3 CLOSING POINTS**  
**CERRADURA CON 3 PUNTOS DE CIERRE**

**ATTIVA**



**CHIUSURE ABBINABILI-MATCHING CLOSURES -CIERRES A JUEGO**

ARTICOLO ARTICLE ARTÍCULO	PROFILO PROFILE PERFIL	CONFEZIONE PACKING EMBALAJE	ARTICOLO ARTICLE ARTÍCULO	PROFILO PROFILE PERFIL	CONFEZIONE PACKING EMBALAJE	ARTICOLO ARTICLE ARTÍCULO	PROFILO PROFILE PERFIL	CONFEZIONE PACKING EMBALAJE
<b>740</b>	<b>CAMERA EUROPEA TUTTE</b> EUROPEAN CHAMBER ALL CAMARA EUROPEA TODAS	<b>100</b>	<b>741</b>	<b>CAMERA EUROPEA 14/18 E NC</b> EUROPEAN CHAMBER 14/18 & NC CAMARA EUROPEA 14/18 Y NC	<b>100</b>	<b>729</b>	<b>CAMERA ERRE 40</b> ERRE 40 CHAMBER CAMARA ERRE 40	<b>100</b>
<b>CHIUSURA</b> CLOSURE CIERRE		<b>ZAMA</b> ZAMAK ZAMAC	<b>CHIUSURA</b> CLOSURE CIERRE		<b>ZAMA</b> ZAMAK ZAMAC	<b>CHIUSURA</b> CLOSURE CIERRE		<b>ZAMA</b> ZAMAK ZAMAC
<b>732</b>	<b>CAMERA EUROPEA TUTTE</b> EUROPEAN CHAMBER ALL CAMARA EUROPEA TODAS	<b>20</b>	<b>728</b>	<b>CAMERA ERRE 40</b> ERRE 40 CHAMBER CAMARA ERRE 40	<b>20</b>	<b>163.2</b>	<b>CAMERA EUROPEA TUTTE</b> EUROPEAN CHAMBER ALL CAMARA EUROPEA TODAS	<b>200</b>
<b>RINVIO D'ANGOLO</b> CORNER TRANSMISSION REENVIO DE ÁNGULO		<b>ZAMA</b> ZAMAK ZAMAC	<b>RINVIO D'ANGOLO</b> CORNER TRANSMISSION REENVIO DE ÁNGULO		<b>ZAMA</b> ZAMAK ZAMAC	<b>167.2</b>	<b>CAMERA ERRE 40</b> ERRE 40 CHAMBER CAMARA ERRE 40	<b>100</b>
						<b>TERMINALE ASTA</b> ROD TERMINAL TERMINAL PLETINA		

**INCONTRI-STRIKERS-CERRADERO**

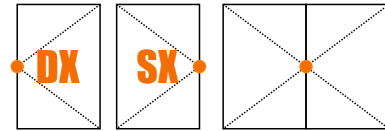
ARTICOLO ARTICLE ARTÍCULO	PROFILO PROFILE PERFIL	CONFEZIONE PACKING EMBALAJE	ARTICOLO ARTICLE ARTÍCULO	PROFILO PROFILE PERFIL	CONFEZIONE PACKING EMBALAJE	ARTICOLO ARTICLE ARTÍCULO	PROFILO PROFILE PERFIL	CONFEZIONE PACKING EMBALAJE
<b>185</b>	<b>CAMERA EUROPEA TUTTE</b> EUROPEAN CHAMBER ALL CAMARA EUROPEA TODAS	<b>200</b>	<b>180</b>	<b>CAMERA EUROPEA 14/18 E NC</b> EUROPEAN CHAMBER 14/18 & NC CAMARA EUROPEA 14/18 Y NC	<b>200</b>	<b>180.2</b>	<b>CAMERA EUROPEA 14/18 E NC</b> EUROPEAN CHAMBER 14/18 & NC CAMARA EUROPEA 14/18 Y NC	<b>200</b>
	<b>ZAMA</b> ZAMAK ZAMAC			<b>ZAMA</b> ZAMAK ZAMAC			<b>ZAMA</b> ZAMAK ZAMAC	
<b>196</b>	<b>CAMERA ERRE 40</b> ERRE 40 CHAMBER CAMARA ERRE 40	<b>200</b>	<b>190</b>	<b>CAMERA EUROPEA 14/18 E NC</b> EUROPEAN CHAMBER 14/18 & NC CAMARA EUROPEA 14/18 Y NC	<b>200</b>	<b>190.2</b>	<b>CAMERA EUROPEA 14/18 E NC</b> EUROPEAN CHAMBER 14/18 & NC CAMARA EUROPEA 14/18 Y NC	<b>200</b>
	<b>NYLON</b>			<b>NYLON</b>			<b>NYLON</b>	
<b>172.3</b>	<b>UNIVERSALE</b> UNIVERSAL	<b>20</b>				<b>172.4</b>	<b>UNIVERSALE</b> UNIVERSAL	<b>20</b>
	<b>ACCIAIO INOX</b> STAINLESS STEEL ACERO INOXIDABLE						<b>ALLUMINIO ESTRUSO</b> EXTRUDED ALUMINUM ALUMINIO EXTRUIDO	

**SERRATURA DA FASCIA A 1 PUNTO**

**MIDRAIL LOCK WITH 1 CLOSING POINT**

**CERRADURA ZÓCALO CON 1 PUNTO DE CIERRE**

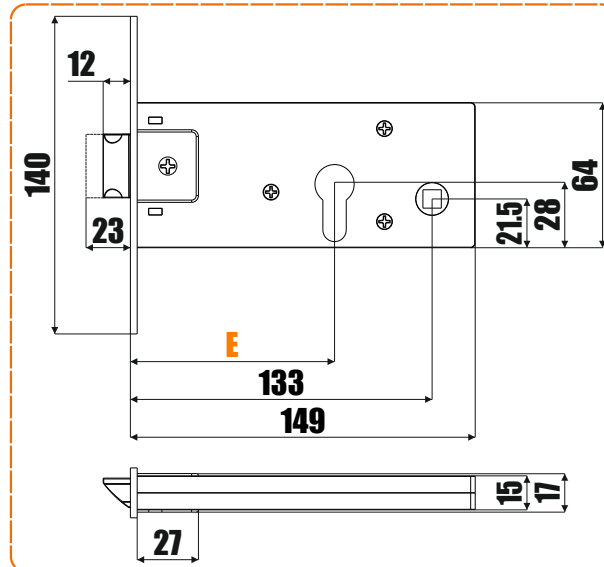
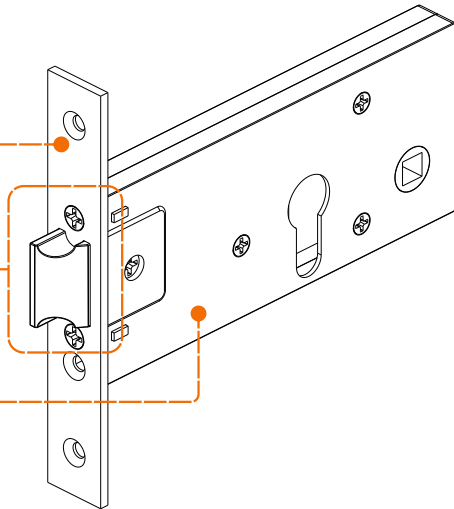
**HIGH END**



**FRONTALE IN ACCIAIO INOX**  
**STAINLESS STEEL FOREND**  
**FRONTAL EN ACERO INOXIDABLE**

**SCROCCO REVERSIBILE**  
**REVERSIBLE SPRING LATCH**  
**PICAPORTE REVERSIBLE**

**CASSE MECCANISMO IN ACCIAIO VERNICIATO**  
**PAINTED STEEL GEARBOX**  
**CAJA MECANISMO EN ACERO PINTADO**

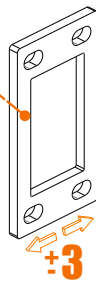


**SERRATURE-LOKS-CERRADURAS**

ARTICOLO ARTICLE ARTÍCULO	<b>E</b> ENTRATA BACKSET ENTRADA	FRONTALE FOREND FRONTAL	CONFEZIONE PACKING EMBALAJE
<b>1804.70</b>	<b>70</b>	<b>22x3</b>	<b>10</b>
<b>1804.90</b>	<b>90</b>	<b>_____</b>	

**CONTROPIASTRE-STRIKERS-CERRADEROS**

**ACCIAIO INOX**  
**STAINLESS STEEL**  
**ACERO INOXIDABLE**

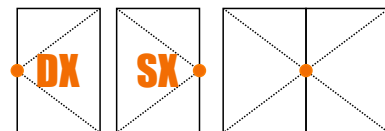


ARTICOLO ARTICLE ARTÍCULO	PROFILO PROFILE PERFIL	CONFEZIONE PACKING EMBALAJE
<b>1804.R1</b>	<b>CAMERA EUROPEA TUTTE</b> <b>EUROPEAN CHAMBER ALL</b> <b>CAMARA EUROPEA TODAS</b>	<b>20</b>
<b>1804.R2</b>	<b>CAMERA ERRE 40</b> <b>ERRE 40 CHAMBER</b> <b>CAMARA ERRE 40</b>	
<b>1804.R3</b>	<b>CAMERA ERRE 50</b> <b>ERRE 50 CHAMBER</b> <b>CAMARA ERRE 50</b>	
<b>1804.R4</b>	<b>NNC 40-SISTEMA 1</b>	



**INCONTRO ELETTRICO RADIALE**  
**RADIAL DOOR RELEASE**  
**CERRADERO ELÉCTRICO RADIAL**

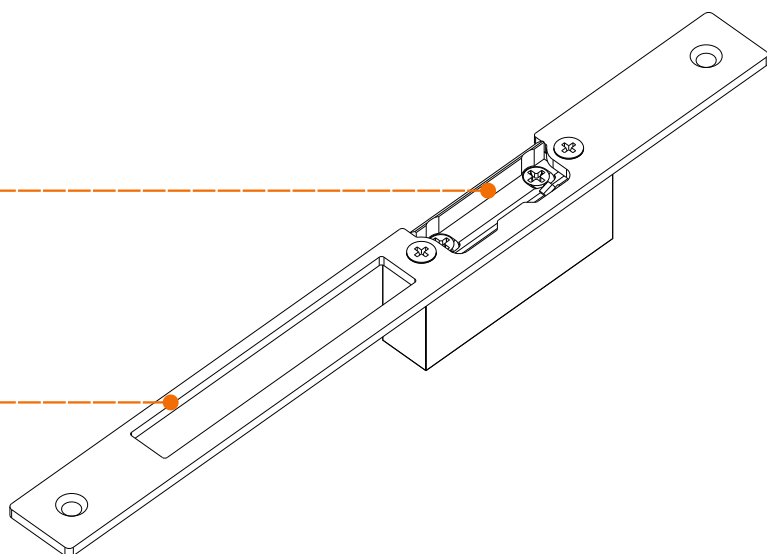
# RADIAL



**VERSIONE CON MEMORIA**  
**VERSION WITH MEMORY**  
**VERSIÓN CON MEMORIA**

**SCROCCO REGOLABILE +1.5 -0**  
**ADJUSTABLE SPRING LATCH +1.5 -0**  
**PICAPORTE AJUSTABLE +1.5 -0**

**CONTROPIASTRA IN ACCIAIO INOX**  
**STAINLESS STEEL COUNTERPLATE**  
**CONTRAPLACA EN ACERO INOXIDABLE**

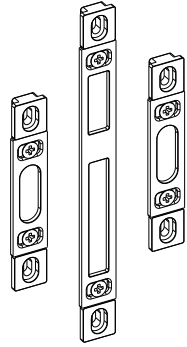
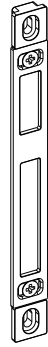
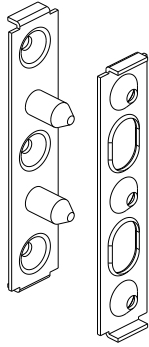
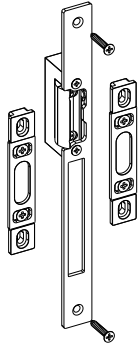
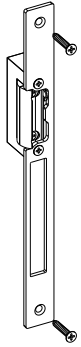


**1.2-1.5 A**  
**8/12 AC DC**

	ARTICOLO ARTICLE ARTÍCULO	PROFILO PROFILE PERFIL	CONFEZIONE PACKING EMBALAJE	ABBINAMENTO MATCH UNIR
	<b>1800.E1</b>	CAMERA EUROPEA-NC INT EUROPEAN CHAMBER-NC INT. CAMARA EUROPEA-NC INT.	<b>5</b>	<b>HIGH END PLUS</b>
	<b>1800.E2</b>	CAMERA ERRE 40 ERRE 40 CHAMBER CAMARA ERRE 40		
	<b>1800.E3</b>	CAMERA ERRE 50 ERRE 50 CHAMBER CAMARA ERRE 50		
	<b>1800.E4</b>	NNC 40-SISTEMA 1		
	<b>1800.E5</b>	CAMERA EUROPEA 15/12 14.5/10 EUROPEAN CHAMBER 15/12 14.5/10 CAMARA EUROPEA 15/12 14.5/10		
<b>VEDI LISTA SEE LIST VER LISTA</b>	<b>PROFILI PORTA DOOR PROFILES PERFIL DE PUERTA</b>			

	ARTICOLO ARTICLE ARTÍCULO	PROFILO PROFILE PERFIL	CONFEZIONE PACKING EMBALAJE	ABBINAMENTO MATCH UNIR
	<b>1801.E1</b>	CAMERA EUROPEA <b>TUTTE</b> EUROPEAN CHAMBER <b>ALL</b> CAMARA EUROPEA <b>TODAS</b>	<b>5</b>	<b>HIGH END MEDIUM</b>  <b>HIGH END BASIC</b>
	<b>1801.E2</b>	CAMERA ERRE 40 ERRE 40 CHAMBER CAMARA ERRE 40		
	<b>1801.E3</b>	CAMERA ERRE 50 ERRE 50 CHAMBER CAMARA ERRE 50		
	<b>1801.E4</b>	NNC 40-SISTEMA 1		
	<b>VEDI LISTA SEE LIST VER LISTA</b>	<b>PROFILI PORTA DOOR PROFILES PERFIL DE PUERTA</b>		



						
<b>ALEXIA</b>	45 ELITE-54 HT 65 ATLAS-74 MAGNUM	1800.R1	1801.R1	1800.S1	1800.E1	1801.E1
	65 ATLAS PORTE 74 MAGNUM PORTE	1800.R8	1801.R8	1800.S5	1800.E8	1801.E8
<b>ALL.CO</b>	EXPORT 45-50-45TT-50TT 51TT-56TT-68TT	1800.R1	1801.R1	1800.S1	1800.E1	1801.E1
	SICURBLIND 65	1800.R6	1801.R6	1800.S6	1800.E1	1801.E1
	SICURBLIND 90	1800.R4	1801.R4	1800.S7	1800.E1	1801.E1
<b>ALSISTEM</b>	PLANET 45-50TT-62TT-72TT	1800.R1	1801.R1	1800.S1	1800.E1	1801.E1
	ELITE DOOR 72	1800.R8	1801.R8	1800.S7	1800.E8	1801.E8
	DOOR 62-72	1800.R7	1801.R7	1800.S6	1800.E7	1801.E7
<b>ALUK</b>	45N PORTA COMPLANARE	1800.R7	1801.R7	1800.S7	1800.E7	1801.E7
	45N PORTA SORMONTO	1800.R10	1801.R10	1800.S10	1800.E10	1801.E10
	55N	1800.R7	1801.R7	1800.S6	1800.E7	1801.E7
	BLINDALL 60 RIPORTO K7205	1800.R7	1801.R7	1800.S6	1800.E1	1801.E1
	BLINDALL 60 RIPORTO K6005	1800.R5	1801.R5	1800.S6	1800.E1	1801.E1
	56ID-67ID-77ID	1800.R8	1801.R8	1800.S6	1800.E8	1801.E8
<b>CLL</b>	TECNO CE 65TT-77 TT-85TT	1800.R1	1801.R1	1800.S1	1800.E1	1801.E1
	TECNO 45-50-50TT-60/68TT-76TT	1800.R2	1801.R2	1800.S2	1800.E2	1801.E2
<b>COLMA</b>	MAR40 MAR50TT-MAR60TT	1800.R1	1801.R1	1800.S1	1800.E1	1801.E1
	MA68TT-MA72HP MABLIND TT	1800.R2	1801.R2	1800.S2	1800.E2	1801.E2
	STOPPER PG 52 EXTRATHERMIC 62	1800.R1	1801.R1	1800.S1	1800.E1	1801.E1
<b>DOMAL</b>	TOP TB 55-65-75	1800.R1	1801.R1	1800.S1	1800.E1	1801.E1
	STOPPER PG 52 PORTA COMPLANARE	1800.R8	1801.R8	1800.S6	1800.E8	1801.E8
	TOP TB 65-75 PORTE	1800.R8	1801.R8	1800.S5	1800.E8	1801.E8
	SHOPS	1800.R8	1801.R8	1800.S5	1800.E8	1801.E8
	START SF 470TI-560TI SF550AI-640AI-760AI	1800.R1	1801.R1	1800.S1	1800.E1	1801.E1
<b>ETA</b>	FIRE 590TT-680TT-410NI-510NI	1800.R1	1801.R1	1800.S1	1800.E1	1801.E1
	ROAD SF520TI-600TI	1800.R1	1801.R1	1800.S1	1800.E1	1801.E1
	FC60 TT	1800.R2	1801.R2	1800.S2	1800.E2	1801.E2
<b>FRATELLI COSENZA</b>	FC68 TT	1800.R2	1801.R2	1800.S2	1800.E2	1801.E2



<b>GEAL</b>	HF580 EXPO 620	1800.R1	1801.R1	1800.S1	1800.E1	1801.E1
	HP580-HP600 HP700-HP820	1800.R1	1801.R1	1800.S1	1800.E1	1801.E1
<b>INDINVEST</b>	GOLD 400-450-500 502HC-600HC	1800.R1	1801.R1	1800.S1	1800.E1	1801.E1
	PLATHINA 69-75 DOGMA	1800.R1	1801.R1	1800.S1	1800.E1	1801.E1
	DOGMA DOOR	1800.R11	1801.R11	1800.S6	1800.E11	1801.E11
	GOLD 500 PORTONCINO GOLD 600 PORTONCINO	1800.R8	1801.R8	1800.S6	1800.E8	1801.E8
<b>METRA</b>	NC50I-NC50STH NC65STH-NC75 STH	1800.R1	1801.R1	1800.S1	1800.E1	1801.E1
	NUOVO NC 40 S	1800.R4	1801.R4	1800.S4	1800.E4	1801.E4
	NC75 STH PORTA	1800.R7	1801.R7	1800.S6	1800.E7	1801.E7
<b>PONZIO</b>	WIND STOP 45-45TT-55TT 65TT-73TT-75TT	1800.R1	1801.R1	1800.S1	1800.E1	1801.E1
	NEWTECH 50-60F-52 60TT-65TT-75TT	1800.R2	1801.R2	1800.S2	1800.E2	1801.E2
	NT50 PORTA-NT52TT PORTA NT60TT PORTA	1800.R8	1801.R8	1800.S5	1800.E8	1801.E8
	NT65TT PORTA NT 75TTTHI PORTA	1800.R8	1801.R8	1800.S5	1800.E8	1801.E8
	WS45 PORTA-WS45TT PORTA WS55TT PORTA	1800.R8	1801.R8	1800.S5	1800.E8	1801.E8
	WS65TT PORTA WS73TT PORTA	1800.R8	1801.R8	1800.S5	1800.E8	1801.E8
	WS 60 DOOR	1800.R8	1801.R8	1800.S6	1800.E8	1801.E8
<b>PROFILATI</b>	EKU 40-53-52TT 62TT-66TT-78TT	1800.R1	1801.R1	1800.S1	1800.E1	1801.E1
	SISTEMA 1 PE 40 SISTEMA 1 PE 50	1800.R4	1801.R4	1800.S4	1800.E4	1801.E4
	EKU 66TT PORTA EKU 78 TT PORTA	1800.R8	1801.R8	1800.S5	1800.E8	1801.E8
<b>SAPA ORIGINAL SYSTEMS</b>	R 40-R 50TT-R 62TT R 72 TT-R 85 TT	1800.R2	1801.R2	1800.S2	1800.E2	1801.E2
	R 50	1800.R3	1801.R3	1800.S3	1800.E3	1801.E3
	R 62 TT PORTE R 72 TT PORTE	1800.R8	1801.R8	1800.S6	1800.E8	1801.E8
<b>TGP</b>	45-TH 52-TH 60 PLUS TH 66- TH 73 PLUS	1800.R1	1801.R1	1800.S1	1800.E1	1801.E1
<b>TO.MA.</b>	ATLANTIS 45-55TT-68TT-80TT	1800.R1	1801.R1	1800.S1	1800.E1	1801.E1
	TIERRE 590 TH TIERRE 640 TH-RS 67 TT	1800.R1	1801.R1	1800.S1	1800.E1	1801.E1
	RS 75 TT	1800.R2	1801.R2	1800.S2	1800.E2	1801.E2
	SUPER THERMIC 500 TT SUPER THERMIC 670 TT	1800.R1	1801.R1	1800.S1	1800.E1	1801.E1
	ATLANTIS 40 TIERRE 400	1800.R4	1801.R4	1800.S4	1800.E4	1801.E4

<b>TP PROFILATI</b>	68 THR	1800.R1	1801.R1	1800.S1	1800.E1	1801.E1
	70 HTP-76 HTP	1800.R1	1801.R1	1800.S1	1800.E1	1801.E1
<b>TWIN SYSTEMS</b>	CX 450-550-600-650 700-700HP	1800.R1	1801.R1	1800.S1	1800.E1	1801.E1
	RX 450-600-700-700HP	1800.R2	1801.R2	1800.S2	1800.E2	1801.E2
	R 50	1800.R3	1801.R3	1800.S3	1800.E3	1801.E3
	R 62 TT PORTE R 72 TT PORTE	1800.R8	1801.R8	1800.S7	1800.E8	1801.E8
<b>VITALE</b>	REV40-ER670TT-ER730TT ER750TT-ER810TT	1800.R2	1801.R2	1800.S2	1800.E2	1801.E2
	REV 50	1800.R3	1801.R3	1800.S3	1800.E3	1801.E3
	ER730TT PORTE	1800.R8	1801.R8	1800.S6	1800.E8	1801.E8

**MERCATO ESTERO-FOREIGN MARKET-MERCADO EXTERIOR**

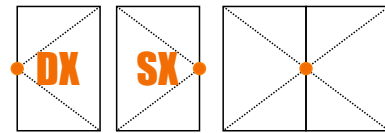
<b>AL HAMAD UAE</b>	ECO 500 THERMAL BREAK	1800.R1	1801.R1	1800.S1	1800.E1	1801.E1
	HINGED DOORS & WINDOWS 45 mm	1800.R1	1801.R1	1800.S1	1800.E1	1801.E1
<b>AL JABER UAE</b>	45 mm HINGED SERIES	1800.R1	1801.R1	1800.S1	1800.E1	1801.E1
	THERMAL BREAK 55 mm HINGED SERIES	1800.R1	1801.R1	1800.S1	1800.E1	1801.E1
<b>ALLUCCO TUNISIA</b>	FR 40	1800.R4	1801.R4	1800.S4	1800.E4	1801.E4
	ALTHERMIC 47TT-60TT-74TT AL 450	1800.R1	1801.R1	1800.S1	1800.E1	1801.E1
<b>ALUMIL GREECE</b>	S 60-S 67-S 77-S 91	1800.R1	1801.R1	1800.S1	1800.E1	1801.E1
	M 940-M 9400- M 9600 M 9660-MD 9660	1800.R1	1801.R1	1800.S1	1800.E1	1801.E1
	M 11000-M 11500 M 15000	1800.R1	1801.R1	1800.S1	1800.E1	1801.E1
	MD 67-SD 77-SD 95	1800.R7	1801.R7	1800.S6	1800.E7	1801.E7
	S60 DOORS-M11000 DOORS M11500 DOORS-M15000 DOORS	1800.R6	1801.R6	1800.S6	1800.E1	1801.E1
<b>ALUMINGO GREECE</b>	W 450-W 540-W 4750	1800.R1	1801.R1	1800.S1	1800.E1	1801.E1
	AL 590	1800.R7	1801.R7	1800.S6	1800.E7	1801.E7
<b>ALUPCO SAUDI ARABIA</b>	ALUPCOTHERM 56D-50D-64D ALUPCOTHERM 56W-50W-64W	1800.R1	1801.R1	1800.S1	1800.E1	1801.E1
	52 HINGED DOORS FRAME WITHOUT 32400	1800.R5	1801.R5	NON DISPONIBILE UNAVAILABLE INDISPONIBLE	1800.E1	1801.E1
	52 HINGED DOORS FRAME WITH 32400	1800.R6	1801.R6	1800.S6	1800.E1	1801.E1
	45 mm SYSTEMS	1800.R1	1801.R1	1800.S1	1800.E1	1801.E1

<b>ARABIAN EXT.</b> UAE	AREXAL NT 45 SERIES-55 SERIES	1800.R1	1801.R1	1800.S1	1800.E1	1801.E1
	AREXAL 55 SERIES DOORS	1800.R6	1801.R6	1800.S6	1800.E1	1801.E1
<b>BALEXCO</b> BAHRAIN	45 HINGED SERIES DOORS	1800.R8	1801.R8	1800.S6	1800.E8	1801.E8
	45 I HINGED SERIES THERMAL BREAK DOORS	1800.R8	1801.R8	1800.S6	1800.E8	1801.E8
<b>CORTIZO</b> SPAIN	COR 60-70-80-2000 COR 2300-3000-3500	1800.R1	1801.R1	1800.S1	1800.E1	1801.E1
	MILLENNIUM FR	1800.R6	1801.R6	1800.S6	1800.E1	1801.E1
	MILLENNIUM 2000	1800.R6	1801.R6	1800.S1	1800.E1	1801.E1
	MILLENNIUM PLUS 70-PLUS 80	1800.R8	1801.R8	1800.S7	1800.E8	1801.E8
<b>EFP</b> NETHERLANDS	50-55	1800.R5	1801.R5	NON DISPONIBILE UNAVAILABLE INDISPONIBILE	1800.E1	1801.E1
	50TB-55TB-60TB 65TB-70TB	1800.R5	1801.R5	NON DISPONIBILE UNAVAILABLE INDISPONIBILE	1800.E1	1801.E1
<b>EMIRATES EXT.</b> UAE	FLEXIBLE HINGED THERMAL BREAK 22 mm	1800.R1	1801.R1	1800.S1	1800.E1	1801.E1
	FLEXIBLE HINGED THERMAL BREAK 16 mm	1800.R1	1801.R1	1800.S1	1800.E1	1801.E1
	45 HINGED SERIES	1800.R1	1801.R1	1800.S1	1800.E1	1801.E1
<b>ETEM</b> GREECE	E38-E45-E68-E75 E1000-E24	1800.R1	1801.R1	1800.S1	1800.E1	1801.E1
	E75 FLAT DOOR	1800.R7	1801.R7	1800.S6	1800.E7	1801.E7
	E 2004 FLAT DOOR E24 FLAT DOOR	1800.R6	1801.R6	1800.S6	1800.E1	1801.E1
<b>EVEREST</b> ALBANIA	60000-70000 71000-74000	1800.R1	1801.R1	1800.S1	1800.E1	1801.E1
	MAIN DOOR	1800.R8	1801.R8	1800.S6	1800.E8	1801.E8
<b>FEAL</b> BOSNIA	45 DALMO	1800.R2	1801.R2	1800.S2	1800.E2	1801.E2
	45 MILL Z 40-Z 50-BLIND	1800.R1	1801.R1	1800.S1	1800.E1	1801.E1
	TERMO 50-60-65-85-85 PLUS	1800.R1	1801.R1	1800.S1	1800.E1	1801.E1
	TERMO 65VS-65VP	1800.R7	1801.R7	1800.S6	1800.E7	1801.E7
	TERMO 85VS-85VP	1800.R8	1801.R8	1800.S6	1800.E8	1801.E8
<b>GULF EXTRUSION</b> UAE	HINGED 45 mm	1800.R1	1801.R1	1800.S1	1800.E1	1801.E1
	TB 600 DOOR SERIES	1800.R7	1801.R7	1800.S6	1800.E7	1801.E7
	THERMAL BREAK 62 mm	1800.R1	1801.R1	1800.S1	1800.E1	1801.E1

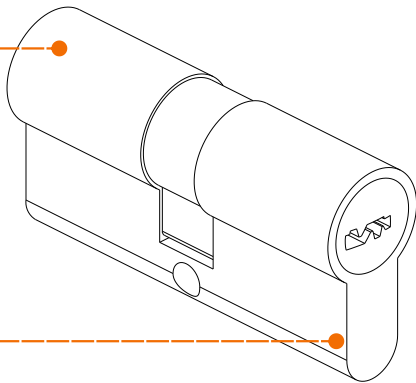
<b>GUTTMANN</b> GERMANY	GWD 070 GWD 080	1800.R5	1801.R5	NON DISPONIBILE UNAVAILABLE INDISPONIBLE	1800.E1	1801.E1
	GWD 070 DOOR	1800.R7	1801.R7	1800.S6	1800.E7	1801.E7
	GWD 080 DOOR	1800.R12	1801.R12	1800.S12	1800.E12	1801.E12
<b>MACHINES &amp; ALUMINIUM</b> EGYPT	SAMBA 40	1800.R4	1801.R4	1800.S4	1800.E4	1801.E4
	SONADA HINGED SYSTEM	1800.R1	1801.R1	1800.S1	1800.E1	1801.E1
	SONADA HINGED SYSTEM DOOR	1800.R8	1801.R8	1800.S6	1800.E8	1801.E8
<b>MAPCO</b> OMAN	CESAMENT SERIES N45	1800.R1	1801.R1	1800.S1	1800.E1	1801.E1
	CLOUD 55	1800.R7	1801.R7	1800.S6	1800.E7	1801.E7
	CLOUD 60	1800.R6	1801.R6	1800.S6	1800.E1	1801.E1
<b>PRESAL</b> BOSNIA	PR50-PR50TT-PR65TT	1800.R1	1801.R1	1800.S1	1800.E1	1801.E1
	PR58-PR58TT-PR66TT PR75TT-PR80TT	1800.R2	1801.R2	1800.S2	1800.E2	1801.E2
<b>REYNAERS</b> BELGIUM	CS 45 PA-CS 59 PA ECO SYSTEM	1800.R1	1801.R1	1800.S1	1800.E1	1801.E1
	CS 68 FUNCIONAL CS 77 FUNCIONAL	1800.R1	1801.R1	1800.S1	1800.E1	1801.E1
	CS 86 HI FUNCIONAL	1800.R1	1801.R1	1800.S1	1800.E1	1801.E1
<b>STRUGAL</b> SPAIN	S40-S46	1800.R1	1801.R1	1800.S1	1800.E1	1801.E1
	S45RP-S53RP-S53HO-S60RP S64RP-S70RP-S74RP-S82RP	1800.R1	1801.R1	1800.S1	1800.E1	1801.E1
	S45C	1800.R8	1801.R8	1800.S7	1800.E8	1801.E8
<b>TECHNAL</b> FRANCE	UNICITY HI	1800.R1	1801.R1	1800.S1	1800.E1	1801.E1
	SOLEAL 55-65-75 UNNO-UNNO THERMIC-	1800.R1	1801.R1	1800.S1	1800.E1	1801.E1
	OPTICA-CITAL FORMA THERMIC	1800.R1	1801.R1	1800.S1	1800.E1	1801.E1
	SOLEAR DOOR 55-65	1800.R7	1801.R7	1800.S7	1800.E7	1801.E7
	TITANE 65	1800.R13	1801.R13	1800.S13	1800.E13	1801.E13
	PYROAL	1800.R14	1801.R14	1800.S1	1800.E14	1801.E14
<b>THERMIA</b> SPAIN	AF35-AF52	1800.R1	1801.R1	1800.S1	1800.E1	1801.E1
	AR52-AR62-AR78+	1800.R1	1801.R1	1800.S1	1800.E1	1801.E1
<b>TPR</b> TUNISIA	EX 45 PRESTIGE TW 60 CONFORT	1800.R1	1801.R1	1800.S1	1800.E1	1801.E1
	40 ELLIPSE	1800.R4	1801.R4	1800.S4	1800.E4	1801.E4

**CILINDRO DI SICUREZZA**  
**SECURITY CYLINDER**  
**CILINDRO DE SEGURIDAD**

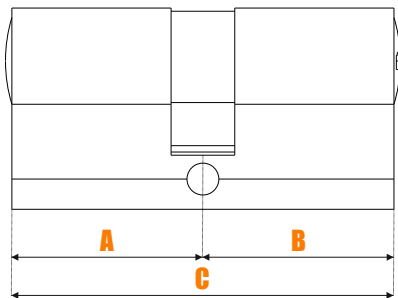
**KEY**  
**PLUS**



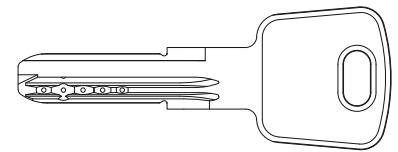
**OTTONE NICHELATO**  
**NICKEL PLATED BRASS**  
**LATÓN NIQUELADO**



**6 PERNI**  
**6 PINS**



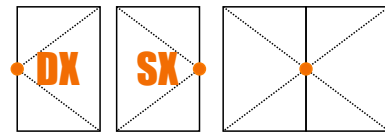
ARTICOLO ARTICLE ARTÍCULO	<b>A</b>	<b>B</b>	<b>C</b>	CONFEZIONE PACKING EMBALAJE
<b>1805.60</b>	<b>30</b>	<b>30</b>	<b>60</b>	<b>10</b>
<b>1805.70</b>	<b>30</b>	<b>40</b>	<b>70</b>	
<b>1805.80</b>	<b>30</b>	<b>50</b>	<b>80</b>	
<b>1805.90</b>	<b>30</b>	<b>60</b>	<b>90</b>	



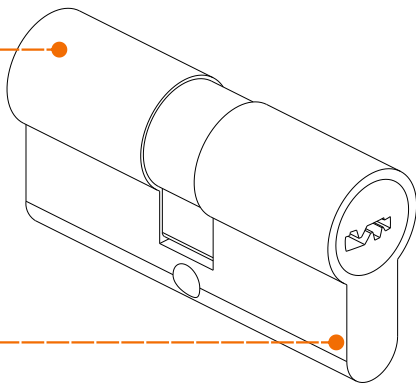
**5 CHIAVI PIATTE**  
**5 FLAT KEYS**  
**5 LLAVES PLANA**

**CILINDRO STANDARD**  
**STANDARD CYLINDER**  
**CILINDRO ESTÁNDAR**

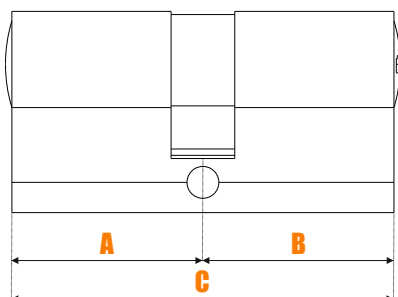
**KEY**



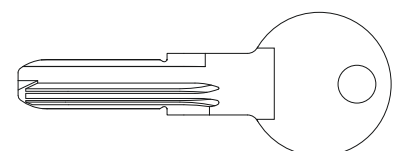
**OTTONE NICHELATO**  
**NICKEL PLATED BRASS**  
**LATÓN NIQUELADO**



**5 PERNI**  
**5 PINS**



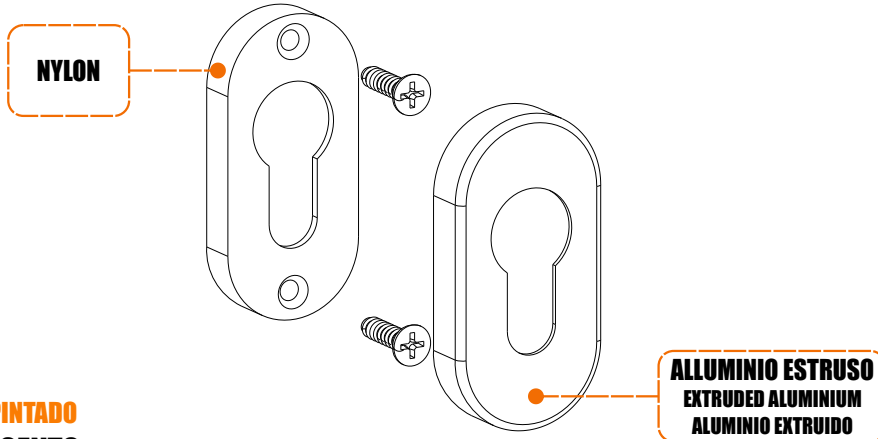
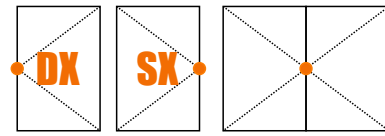
ARTICOLO ARTICLE ARTÍCULO	<b>A</b>	<b>B</b>	<b>C</b>	CONFEZIONE PACKING EMBALAJE
<b>1806.60A</b>	<b>25</b>	<b>35</b>	<b>60</b>	<b>10</b>
<b>1806.60</b>	<b>30</b>	<b>30</b>	<b>60</b>	
<b>1806.65</b>	<b>30</b>	<b>35</b>	<b>65</b>	
<b>1806.70</b>	<b>30</b>	<b>40</b>	<b>70</b>	
<b>1806.75</b>	<b>30</b>	<b>45</b>	<b>75</b>	
<b>1806.80</b>	<b>30</b>	<b>50</b>	<b>80</b>	
<b>1806.85</b>	<b>30</b>	<b>55</b>	<b>85</b>	
<b>1806.90</b>	<b>30</b>	<b>60</b>	<b>90</b>	
<b>1806.70B</b>	<b>35</b>	<b>35</b>	<b>70</b>	
<b>1806.75B</b>	<b>35</b>	<b>40</b>	<b>75</b>	
<b>1806.80B</b>	<b>35</b>	<b>45</b>	<b>80</b>	
<b>1806.85B</b>	<b>35</b>	<b>50</b>	<b>85</b>	
<b>1806.90B</b>	<b>35</b>	<b>55</b>	<b>90</b>	
<b>1806.95B</b>	<b>35</b>	<b>60</b>	<b>95</b>	



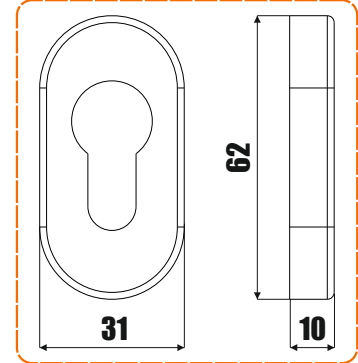
**3 CHIAVI**  
**3 KEYS**  
**3 LLAVES**

**COPRI CILINDRO**  
**CYLINDER COVER**  
**TAPA DEL CILINDRO**

# SIRIO



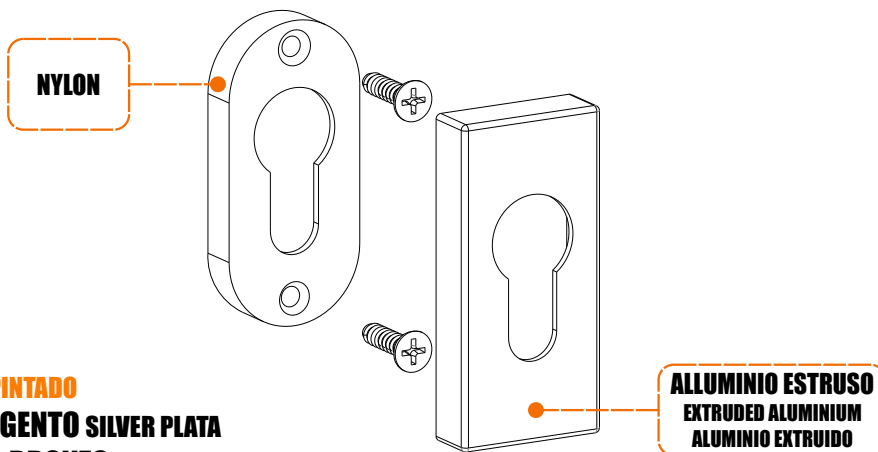
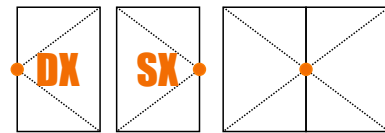
ARTICOLO ARTICLE ARTÍCULO	CONFEZIONE PACKING EMBALAJE
<b>202</b>	<b>20</b>



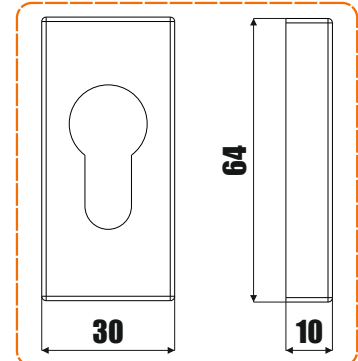
**VERNICIATI-PAINTED-PINTADO**  
**9005-9010-1013-ARGENTO SILVER PLATA**  
**SATINATO SATIN SATÉN-BRONZO BRONZE BRONCE**  
**GALVANICA-GALVANIC ORO GOLD**

**COPRI CILINDRO**  
**CYLINDER COVER**  
**TAPA DEL CILINDRO**

# SQUARE



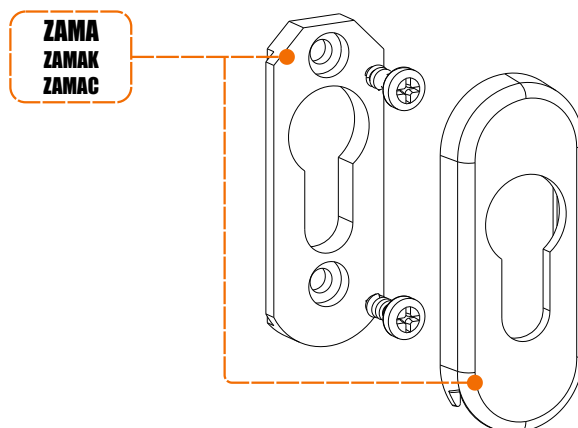
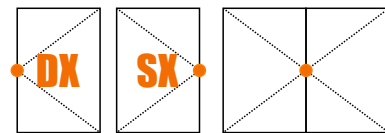
ARTICOLO ARTICLE ARTÍCULO	CONFEZIONE PACKING EMBALAJE
<b>203</b>	<b>20</b>



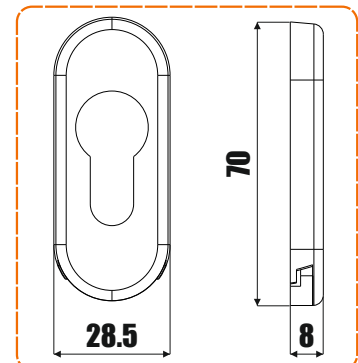
**VERNICIATI-PAINTED-PINTADO**  
**9005-9010-1013-ARGENTO SILVER PLATA**  
**SATINATO SATIN SATÉN-BRONZO BRONZE BRONCE**  
**GALVANICA-GALVANIC ORO GOLD**  
**OSSIDATI-OXIDIZED-OXIDADO ARGENTO SILVER PLATA-SATINATO SATIN SATÉN**

**COPRI CILINDRO**  
**CYLINDER COVER**  
**TAPA DEL CILINDRO**

# SIRIO DEFENDER



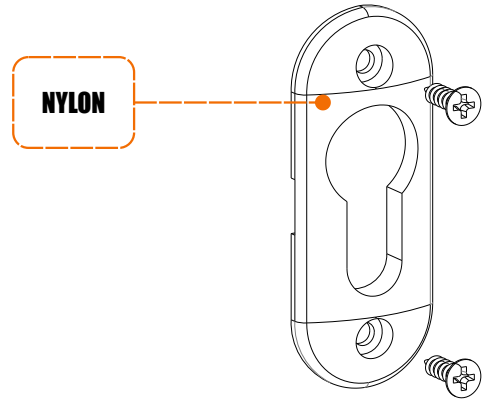
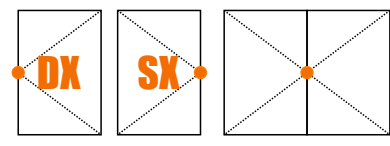
ARTICOLO ARTICLE ARTÍCULO	CONFEZIONE PACKING EMBALAJE
<b>202D</b>	<b>20</b>



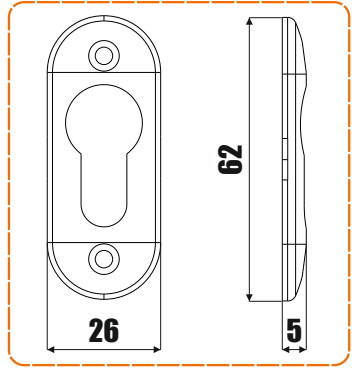
**VERNICIATI-PAINTED-PINTADO**  
**9005-9010-1013-ARGENTO SILVER PLATA**  
**SATINATO SATIN SATÉN-BRONZO BRONZE BRONCE**  
**GALVANICA-GALVANIC ORO GOLD**

**COPRI CILINDRO**  
**CYLINDER COVER**  
**TAPA DEL CILINDRO**

**SIRIO**  
**PLASTIC**



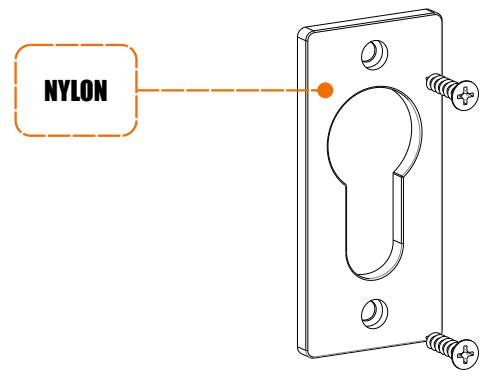
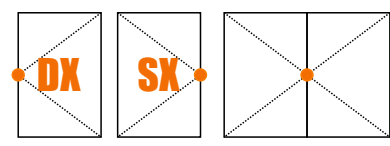
ARTICOLO ARTICLE ARTÍCULO	CONFEZIONE PACKING EMBALAJE
<b>202P</b>	<b>50</b>



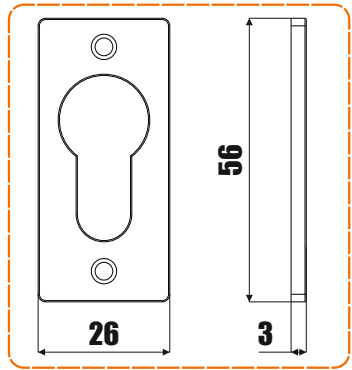
**INIETTATI-INJECTED-INYECTADO**  
**9005-9010**

**COPRI CILINDRO**  
**CYLINDER COVER**  
**TAPA DEL CILINDRO**

**SIRIO**  
**PLASTIC**



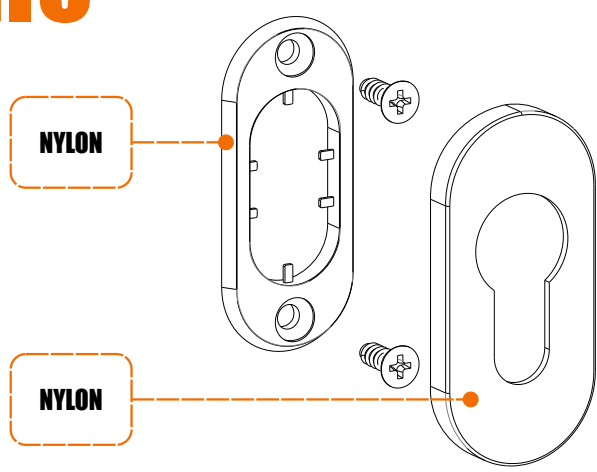
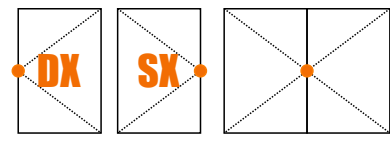
ARTICOLO ARTICLE ARTÍCULO	CONFEZIONE PACKING EMBALAJE
<b>203P</b>	<b>50</b>



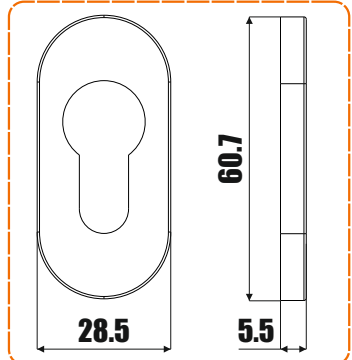
**INIETTATI-INJECTED-INYECTADO**  
**9005-9010-1013-ARGENTO SILVER PLATA**

**COPRI CILINDRO**  
**CYLINDER COVER**  
**TAPA DEL CILINDRO**

**SIRIO**  
**PLASTIC**



ARTICOLO ARTICLE ARTÍCULO	CONFEZIONE PACKING EMBALAJE
<b>204P</b>	<b>50</b>

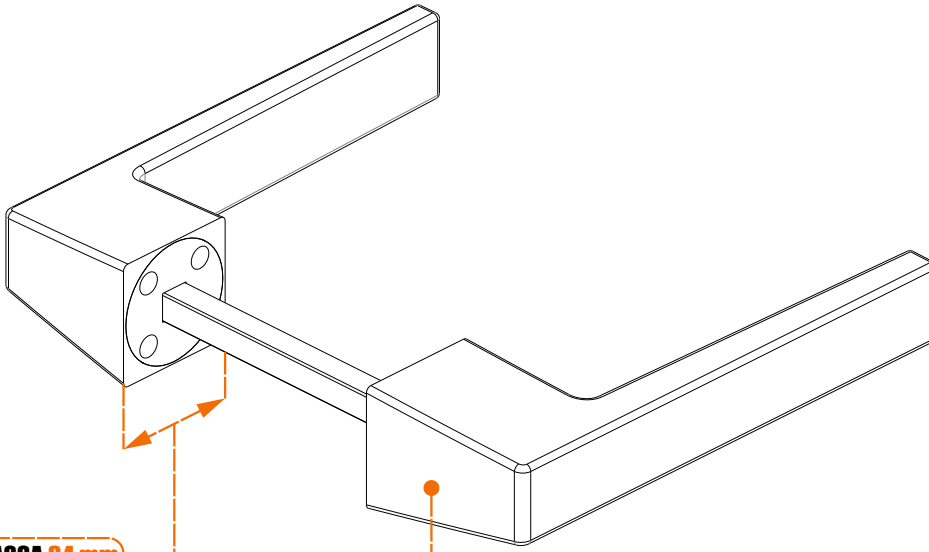
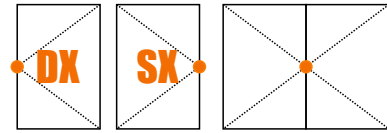


**INIETTATI-INJECTED-INYECTADO**  
**9005-9010-1013-ARGENTO SILVER PLATA**



**DOPPIA MANIGLIA IN ALLUMINIO**  
**ALUMINIUM DOUBLE HANDLE**  
**MANILLA DOBLE EN ALUMINIO**

# GHOST

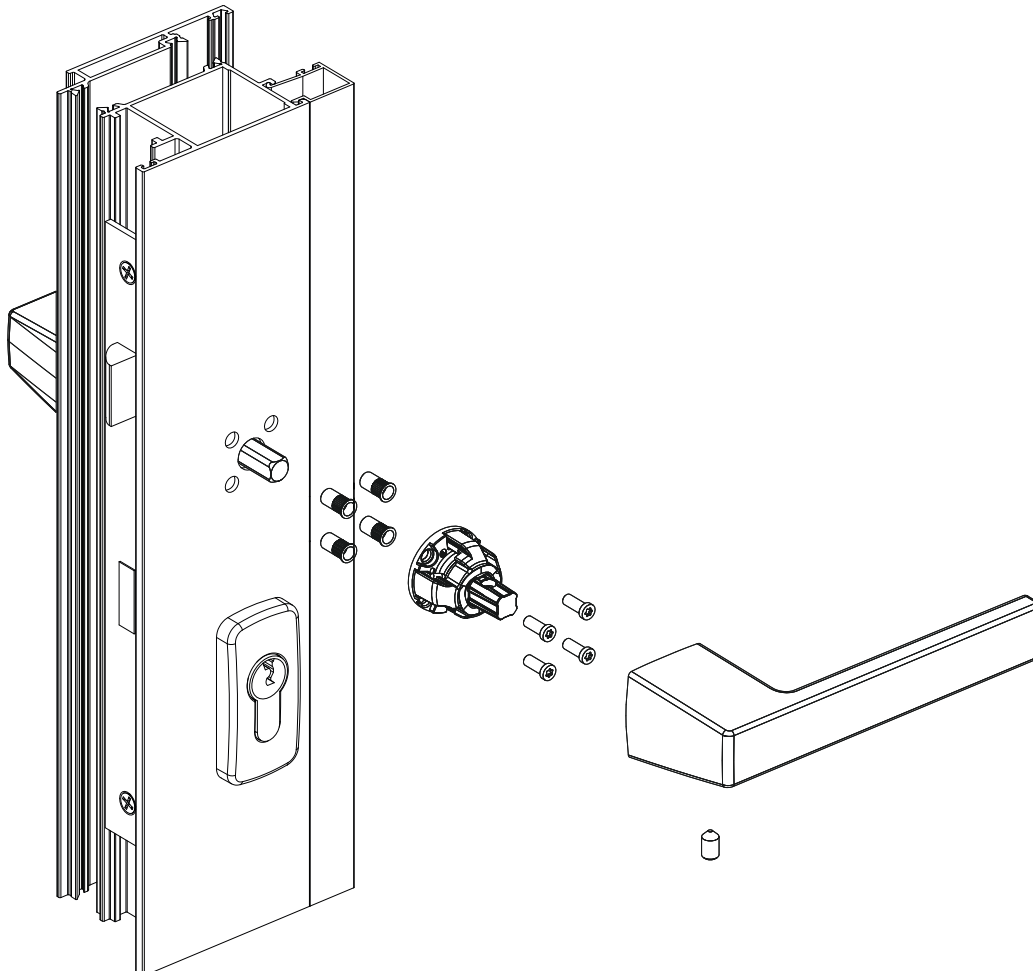


ARTICOLO ARTICLE ARTÍCULO	TIPO TYPE	CONFEZIONE PACKING EMBALAJE
<b>215</b>	<b>DOPPIA DOUBLE DOBLE</b>	<b>5</b>
<b>215DX</b>	<b>SINGOLA DX SINGLE RIGHT SOLA DERECHA</b>	<b>10</b>
<b>215SX</b>	<b>SINGOLA SX SINGLE LEFT SOLA IZQUIERDA</b>	

**CASSA 34 mm**  
**34 mm BODY**  
**CAJA 34 mm**

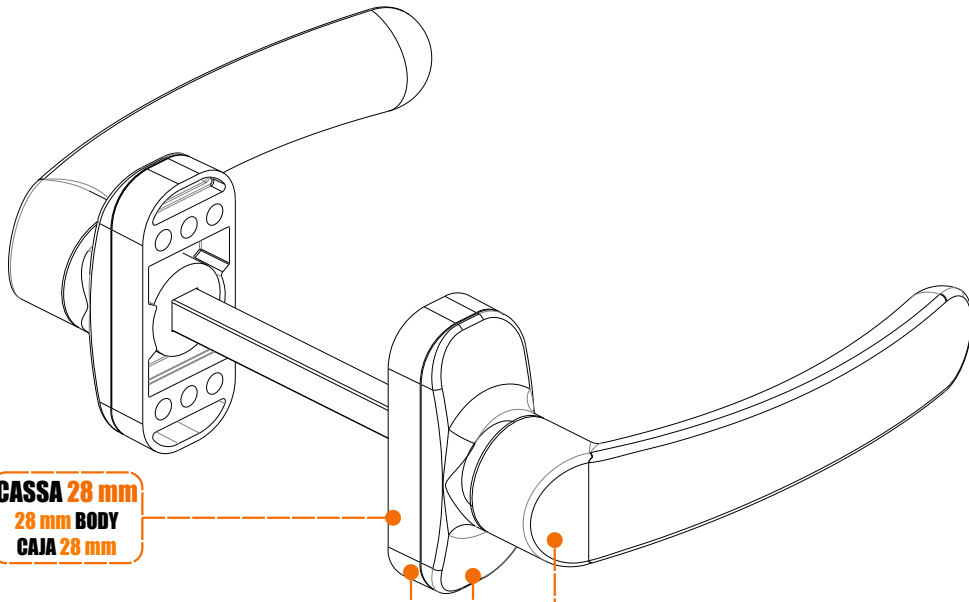
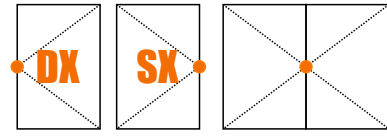
**ALLUMINIO PRESSOFUSO**  
**DIE-CAST ALUMINIUM**  
**ALUMINIO INJECTADO**

**VERNICIATI-PAINTED-PINTADO**  
**9005-9010-1013-ARGENTO SILVER PLATA**  
**SATINATO SATIN SATÉN-BRONZO BRONZE BRONCE**  
**GALVANICA-GALVANIC ORO GOLD**

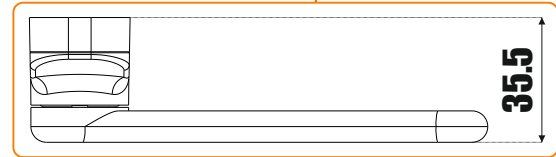


**DOPPIA MANIGLIA IN ALLUMINIO**  
**ALUMINIUM DOUBLE HANDLE**  
**MANILLA DOBLE EN ALUMINIO**

# SILHOUETTE



ARTICOLO ARTICLE ARTÍCULO	TIPO TYPE	CONFEZIONE PACKING EMBALAJE
<b>210</b>	<b>STANDARD</b> STANDARD STANDARD	<b>10</b>
<b>210MR</b>	<b>MANICO RIBASSATO</b> REDUCED HANDLE MANGO REBAJATO	<b>10</b>



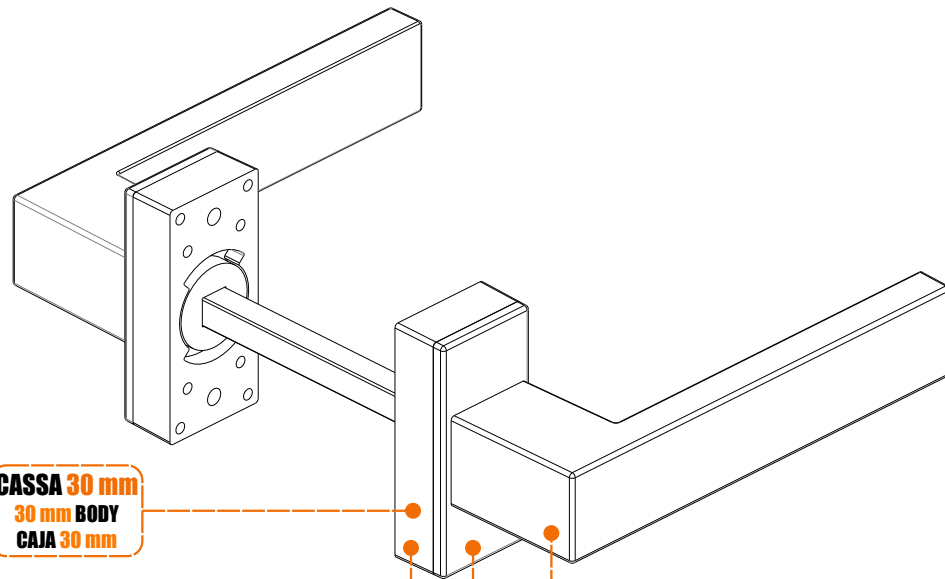
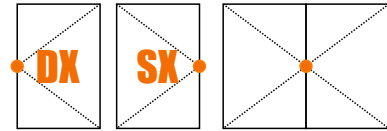
**CASSA 28 mm**  
28 mm BODY  
CAJA 28 mm

**ALLUMINIO PRESSOFUSO**  
DIE-CAST ALUMINIUM  
ALUMINIO INYECTADO

**VERNICIATI-PAINTED-PINTADO**  
**9005-9010-1013-ARGENTO SILVER PLATA**  
**SATINATO SATIN SATÉN-BRONZO BRONZE BRONCE**  
**GALVANICA-GALVANIC ORO GOLD**

**DOPPIA MANIGLIA IN ALLUMINIO**  
**ALUMINIUM DOUBLE HANDLE**  
**MANILLA DOBLE EN ALUMINIO**

# SQUARE



ARTICOLO ARTICLE ARTÍCULO	TIPO TYPE	CONFEZIONE PACKING EMBALAJE
<b>220</b>	<b>STANDARD</b> STANDARD STANDARD	<b>10</b>

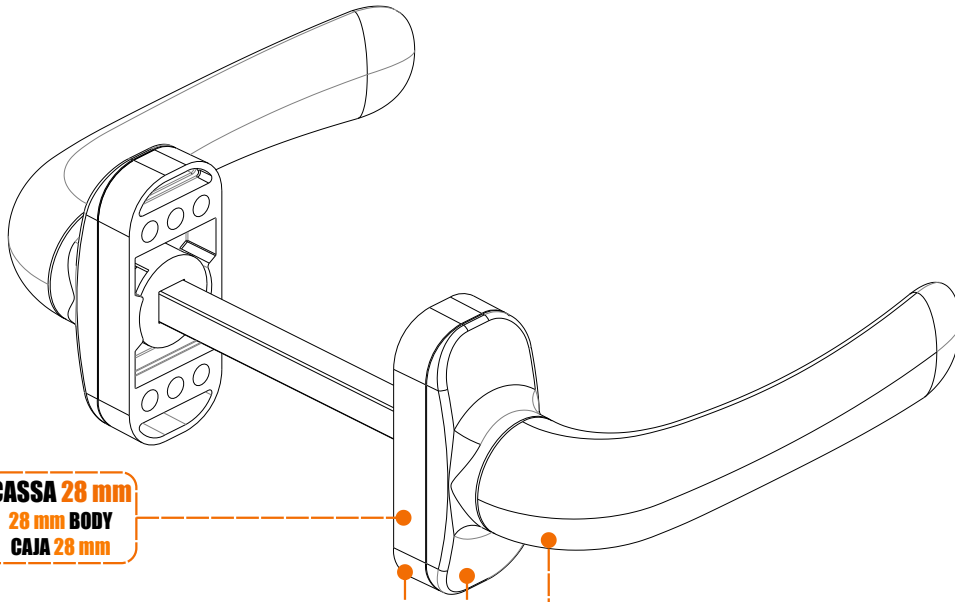
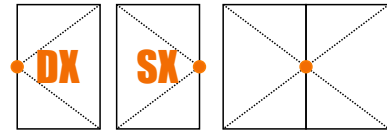
**CASSA 30 mm**  
30 mm BODY  
CAJA 30 mm

**ALLUMINIO ESTRUSO**  
EXTRUDED ALUMINIUM  
ALUMINIO EXTRUIDO

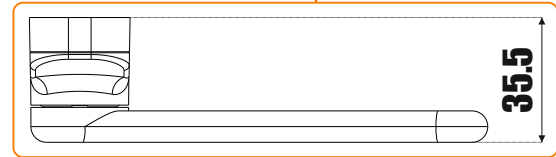
**VERNICIATI-PAINTED-PINTADO**  
**9005-9010-1013-ARGENTO SILVER PLATA**  
**SATINATO SATIN SATÉN-BRONZO BRONZE BRONCE**  
**GALVANICA-GALVANIC ORO GOLD**  
**OSSIDATI-OXIDIZED-OXIDADO**  
**ARGENTO SILVER PLATA-SATINATO SATIN SATÉN**

**DOPPIA MANIGLIA IN ALLUMINIO**  
**ALUMINIUM DOUBLE HANDLE**  
**MANILLA DOBLE EN ALUMINIO**

**LUNA**



ARTICOLO ARTICLE ARTÍCULO	TIPO TYPE	CONFEZIONE PACKING EMBALAJE
<b>200</b>	<b>STANDARD</b> STANDARD STANDARD	<b>10</b>
<b>200MR</b>	<b>MANICO RIBASSATO</b> REDUCED HANDLE MANGO REBAJATO	<b>10</b>



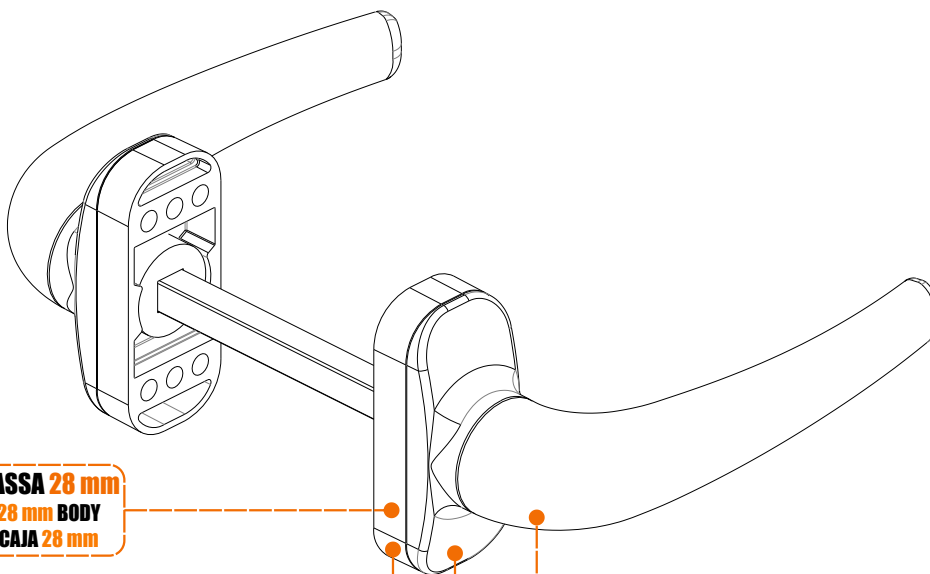
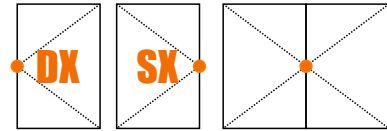
**CASSA 28 mm**  
 28 mm BODY  
 CAJA 28 mm

**ALLUMINIO PRESSOFUSO**  
 DIE-CAST ALUMINIUM  
 ALUMINIO INYECTADO

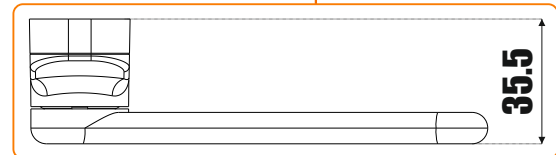
**VERNICIATI-PAINTED-PINTADO**  
 9005-9010-1013-ARGENTO SILVER PLATA  
 SATINATO SATIN SATÉN-BRONZO BRONZE BRONCE  
**GALVANICA-GALVANIC ORO GOLD**

**DOPPIA MANIGLIA IN ALLUMINIO**  
**ALUMINIUM DOUBLE HANDLE**  
**MANILLA DOBLE EN ALUMINIO**

**IMOLA**



ARTICOLO ARTICLE ARTÍCULO	TIPO TYPE	CONFEZIONE PACKING EMBALAJE
<b>590</b>	<b>STANDARD</b> STANDARD STANDARD	<b>10</b>
<b>590MR</b>	<b>MANICO RIBASSATO</b> REDUCED HANDLE MANGO REBAJATO	<b>10</b>



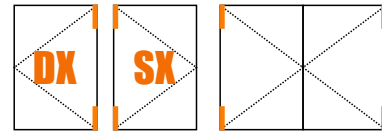
**CASSA 28 mm**  
 28 mm BODY  
 CAJA 28 mm

**ALLUMINIO PRESSOFUSO**  
 DIE-CAST ALUMINIUM  
 ALUMINIO INYECTADO

**VERNICIATI-PAINTED-PINTADO**  
 9005-9010-1013-ARGENTO SILVER PLATA  
 SATINATO SATIN SATÉN-BRONZO BRONZE BRONCE  
**GALVANICA-GALVANIC ORO GOLD**

**CERNIERA PER PORTE  
DOOR'S HINGE  
BISAGRA PARA PUERTAS**

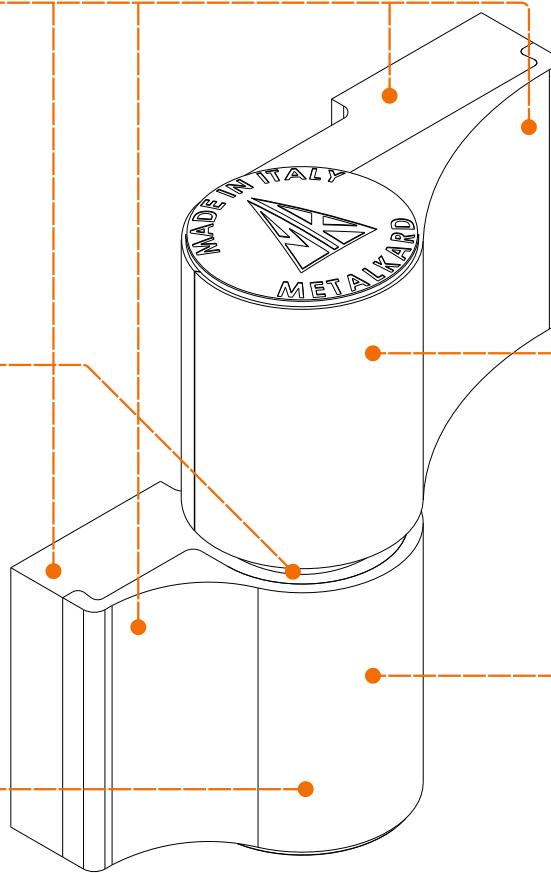
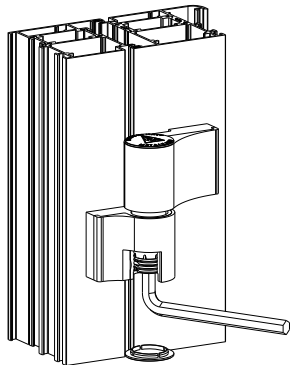
# BOXER



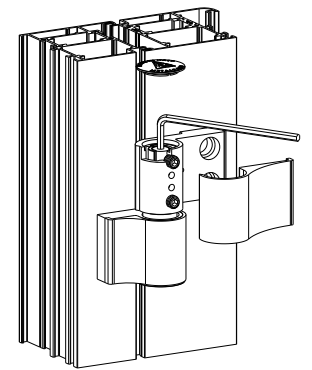
**ALLUMINIO ESTRUSO  
EXTRUDED ALUMINIUM  
ALUMINIO EXTRUIDO**

**RONDELLA DI RASAMENTO IN TEFLON  
TEFLON SHIM WASHER  
CUÑA DE TEFLÓN**

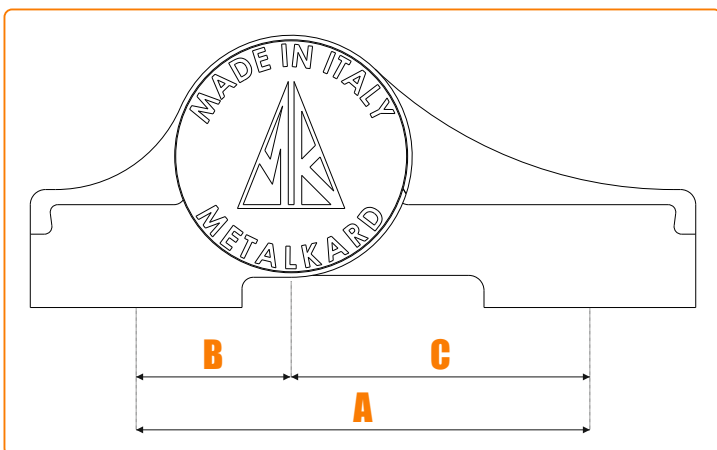
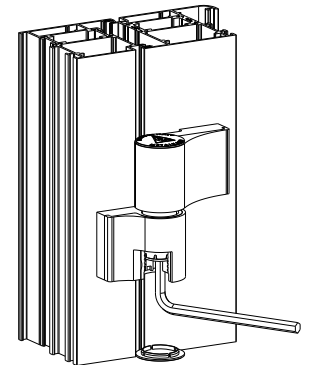
**REGOLAZIONE ALTEZZA  
HEIGHT ADJUSTMENT  
REGULACION ALTURA** **± 2**



**REGOLAZIONE LATERALE  
LATERAL ADJUSTMENT  
REGULACION LATERAL** **± 2.5**



**REGOLAZIONE PRESSIONE  
PRESSURE ADJUSTMENT  
REGULACION PRESIÓN** **± 0.5**

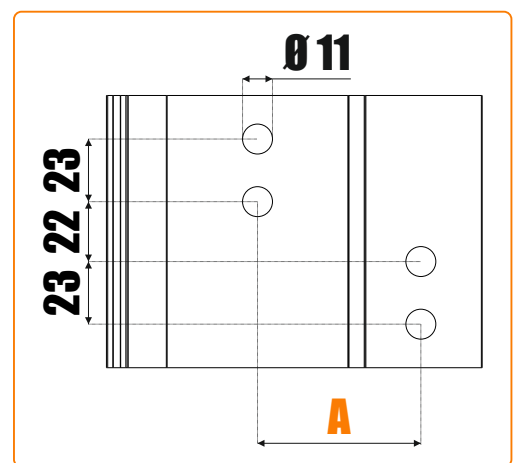


<b>CERNIERA-HINGE-BISAGRA</b>				
<b>ARTICOLO ARTICLE ARTÍCULO</b>	<b>A</b>	<b>B</b>	<b>C</b>	<b>CONFEZIONE PACKING EMBALAJE</b>
<b>650.60</b>	<b>60</b>	<b>20.5</b>	<b>39.5</b>	<b>20</b>
<b>650.67</b>	<b>67</b>	<b>20.5</b>	<b>46.5</b>	
<b>650.79</b>	<b>79</b>	<b>39.5</b>	<b>39.5</b>	
<b>650.86</b>	<b>86</b>	<b>39.5</b>	<b>46.5</b>	
<b>650.93</b>	<b>93</b>	<b>46.5</b>	<b>46.5</b>	

**CE** 4 7 7 1 1 3 0 14

**RESISTENTE AL FUOCO-FIRE RESISTANT  
RESISTENTE AL FUEGO**

1488-CPR-0424/W  
EN 1935:2003/AC:2003

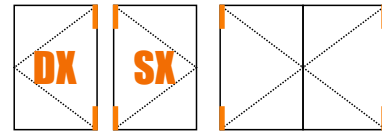


**VERNICIATI-PAINTED-PINTADO**  
**9005-9010-1013-ARGENTO SILVER PLATA**  
**SATINATO SATIN SATÉN-BRONZO BRONZE BRONCE**  
**GALVANICA-GALVANIC ORO GOLD**

**A-20**

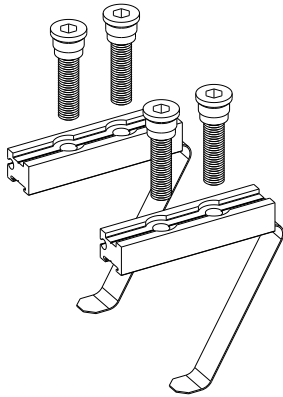
**CERNIERA PER PORTE**  
**DOOR'S HINGE**  
**BISAGRA PARA PUERTAS**

# BOXER



## CONTROPIASTRA-COUNTERPLATE-CONTROPLACA

ARTICOLO  
ARTICLE  
ARTÍCULO



CONFEZIONE  
PACKING  
EMBALAJE

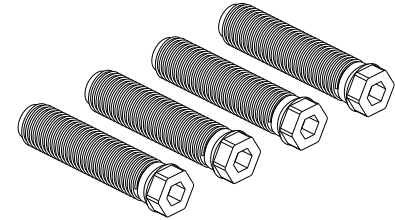
**651.1**

**20**

## VITI TAGLIO TERMICO-THERMAL BRAKE SCREWS-TORNILLO ROPTURA TERMICA

ARTICOLO  
ARTICLE  
ARTÍCULO

**L**

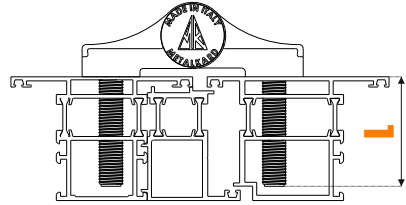


CONFEZIONE  
PACKING  
EMBALAJE

**652.1 43**

**652.2 53**

**652.3 63**

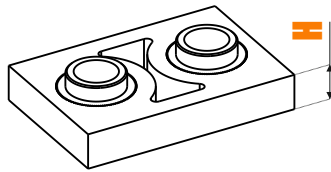


**20**

## GRADINI PER CONTROPIASTRA-STEP FOR COUNTERPLATE-COMPENSADOR PARA CONTROPLACA

ARTICOLO  
ARTICLE  
ARTÍCULO

**H**



CONFEZIONE  
PACKING  
EMBALAJE

**653.7 7**

**7**

**653.8 8**

**8**

**653.85 8.5**

**8.5**

**653.10 10**

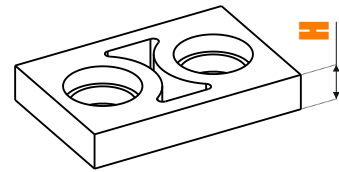
**10**

**20**

## GRADINI PER VITI-STEP FOR SCREWS-COMPENSADOR PARA TORNILLO

ARTICOLO  
ARTICLE  
ARTÍCULO

**H**



CONFEZIONE  
PACKING  
EMBALAJE

**654.7 7**

**7**

**654.8 8**

**8**

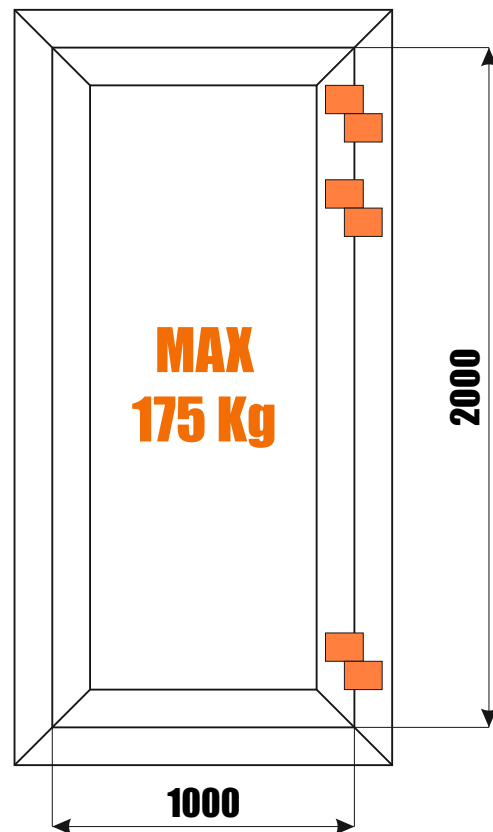
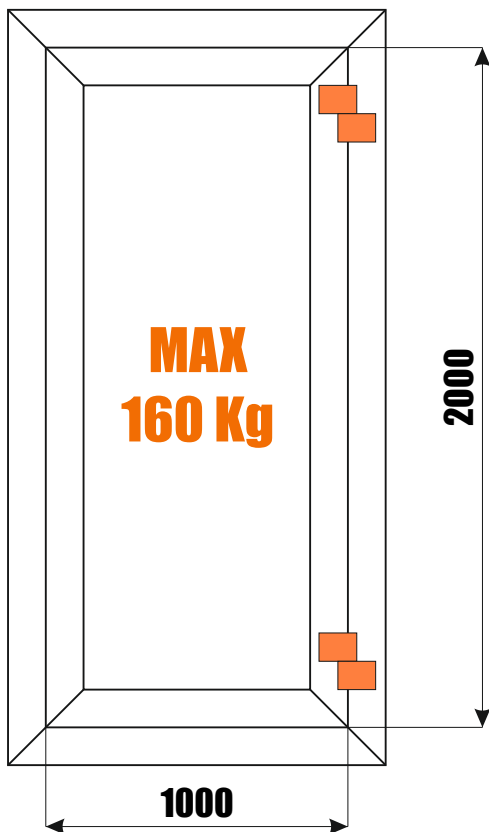
**654.85 8.5**

**8.5**

**654.10 10**

**10**

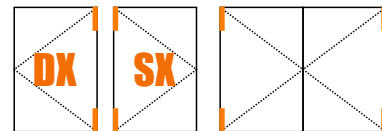
**20**



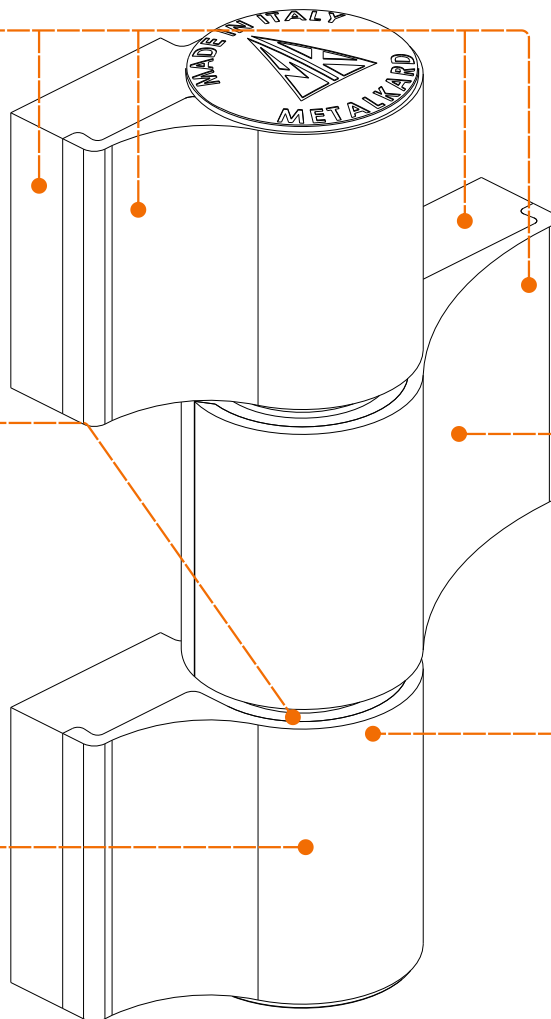
**CERNIERA PER PORTE**  
**DOOR'S HINGE**  
**BISAGRA PARA PUERTAS**

# BOXER

3 ALLI

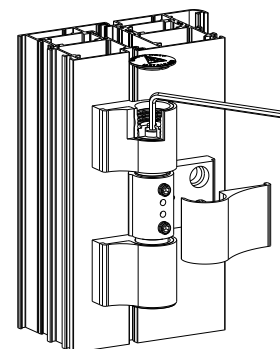


**ALLUMINIO ESTRUSO**  
**EXTRUDED ALUMINIUM**  
**ALUMINIO EXTRUIDO**



**REGOLAZIONE LATERALE**  
**LATERAL ADJUSTMENT**  
**REGULACION LATERAL**

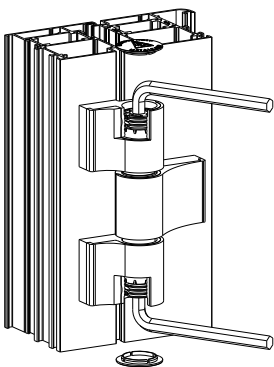
**± 2.5**



**RONDELLA DI RASAMENTO IN TEFLON**  
**TEFLON SHIM WASHER**  
**CUÑA DE TEFLÓN**

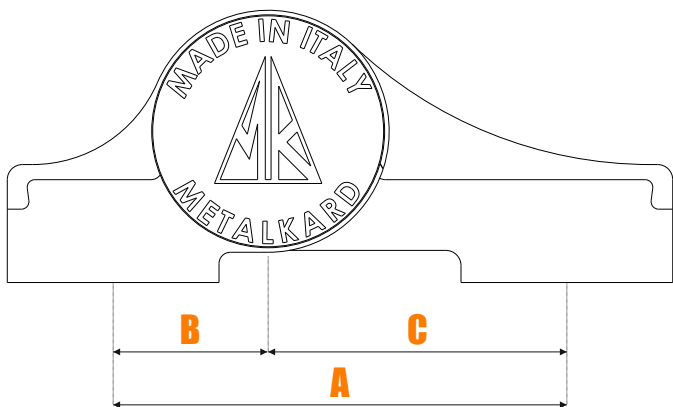
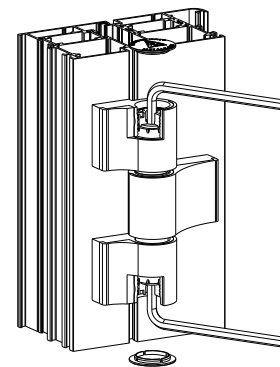
**REGOLAZIONE ALTEZZA**  
**HEIGHT ADJUSTMENT**  
**REGULACION ALTURA**

**± 2**



**REGOLAZIONE PRESSIONE**  
**PRESSURE ADJUSTMENT**  
**REGULACION PRESIÓN**

**± 0.5**



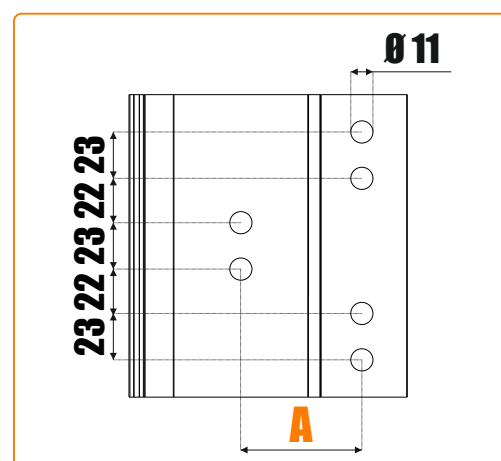
### CERNIERA-HINGE-BISAGRA

ARTICOLO ARTICLE ARTÍCULO	A	B	C	CONFEZIONE PACKING EMBALAJE
<b>655.60</b>	<b>60</b>	<b>20.5</b>	<b>39.5</b>	<b>10</b>
<b>655.67</b>	<b>67</b>	<b>20.5</b>	<b>46.5</b>	
<b>655.79</b>	<b>79</b>	<b>39.5</b>	<b>39.5</b>	
<b>655.86</b>	<b>86</b>	<b>39.5</b>	<b>46.5</b>	
<b>655.93</b>	<b>93</b>	<b>46.5</b>	<b>46.5</b>	

**CE**  
1488-CPR-0424/W  
EN 1935:2003/AC:2003

**4 7 7 1 1 3 0 14**

**RESISTENTE AL FUOCO-FIRE RESISTANT**  
**RESISTENTE AL FUEGO**

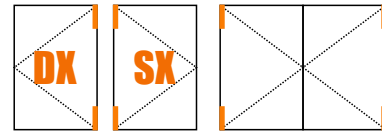


**VERNICIATI-PAINTED-PINTADO**  
**9005-9010-1013-ARGENTO SILVER PLATA**  
**SATINATO SATIN SATÉN-BRONZO BRONZE BRONCE**  
**GALVANICA-GALVANIC ORO GOLD**

**A-22**

**CERNIERA PER PORTE**  
**DOOR'S HINGE**  
**BISAGRA PARA PUERTAS**

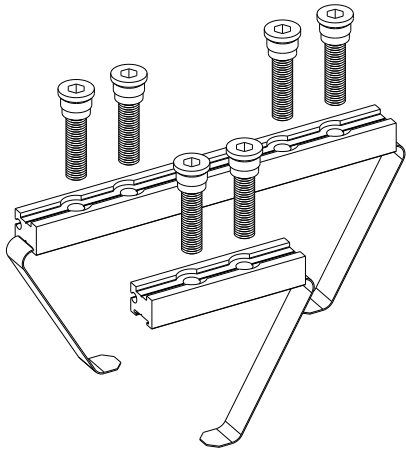
**BOXER**  
 3 ALL



**CONTROPIASTRA-COUNTERPLATE-CONTROPLACA**

ARTICOLO  
ARTICLE  
ARTÍCULO

**656.1**



CONFEZIONE  
PACKING  
EMBALAJE

**20**

**VITI TAGLIO TERMICO-THERMAL BRAKE SCREWS-TORNILLO ROPTURA TERMICA**

ARTICOLO  
ARTICLE  
ARTÍCULO

**657.1**

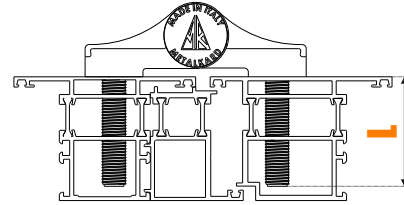
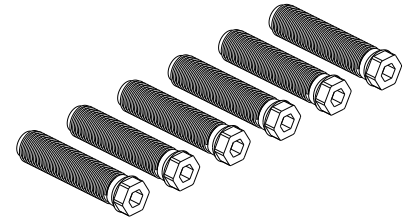
**L**  
**43**

**657.2**

**53**

**657.3**

**63**



CONFEZIONE  
PACKING  
EMBALAJE

**20**

**GRADINI PER CONTROPIASTRA-STEP FOR COUNTERPLATE-COMPENSADOR PARA CONTROPLACA**

ARTICOLO  
ARTICLE  
ARTÍCULO

**653.7**

**H**  
**7**

**653.8**

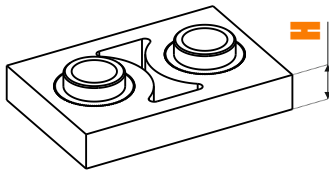
**8**

**653.85**

**8.5**

**653.10**

**10**



CONFEZIONE  
PACKING  
EMBALAJE

**20**

**GRADINI PER VITI-STEP FOR SCREWS-COMPENSADOR PARA TORNILLO**

ARTICOLO  
ARTICLE  
ARTÍCULO

**654.7**

**H**  
**7**

**654.8**

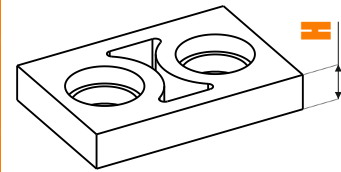
**8**

**654.85**

**8.5**

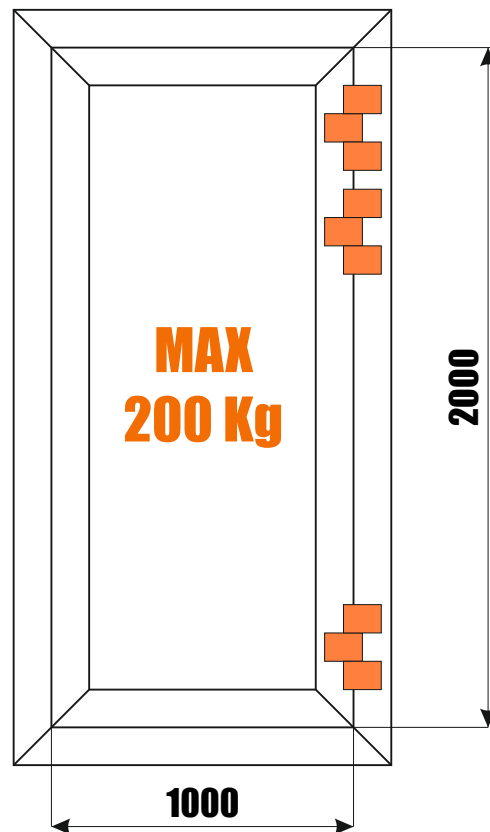
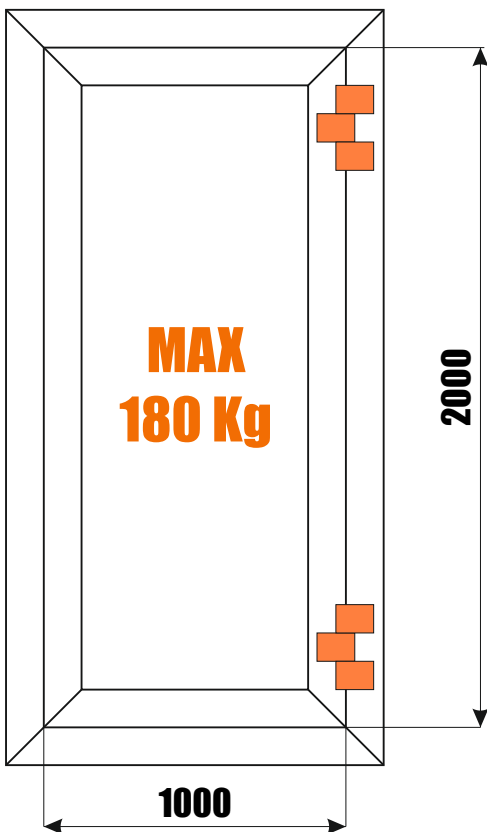
**654.10**

**10**



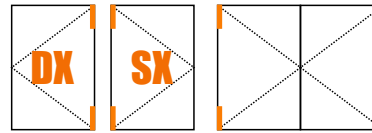
CONFEZIONE  
PACKING  
EMBALAJE

**20**

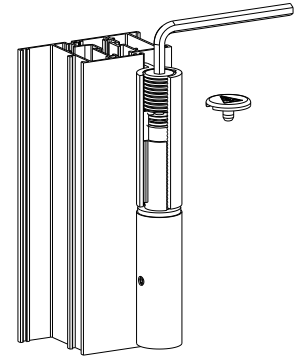


**CERNIERA PER PORTE  
DOOR'S HINGE  
BISAGRA PARA PUERTAS**

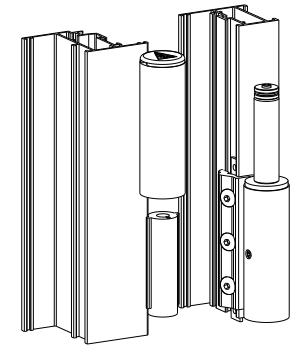
# PATRIOT



**REGOLAZIONE ALTEZZA  
HEIGHT ADJUSTMENT  
REGULACION ALTURA** **± 2**



**REGOLAZIONE PRESSIONE  
PRESSURE ADJUSTMENT  
REGULACION PRESIÓN** **± 0.5**

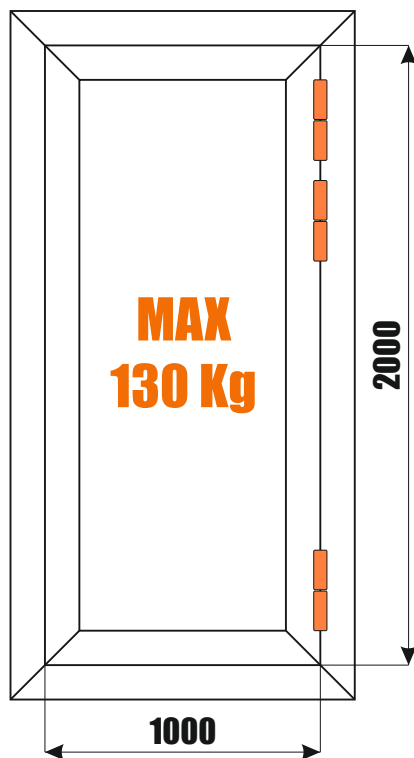
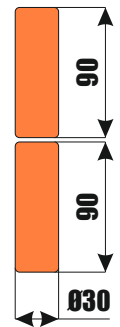
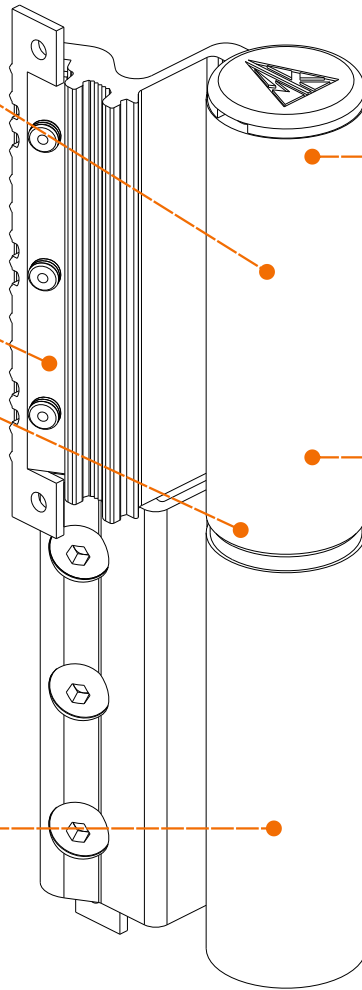
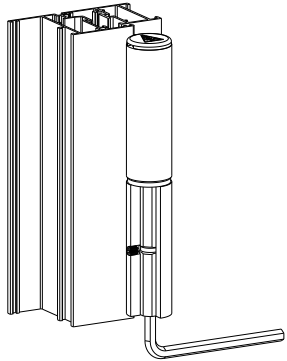


**PERNO CON CUSCINETTO ASSIALE  
PIVOT WITH THRUST BEARING  
EJE CON COJINETE AXIAL**

**PERNO, VITI E PIASTRINE IN ACCIAIO INOX  
STAINLESS STEEL PIVOT, PLATES & FIXING SCREWS  
EJE, TORNILLO Y PLACAS EN ACERO INOXIDABLE**

**BOCCOLA IN BISOLFURO DI MOLIBDENO  
BISULFIDE MOLIBDENUM BUSHING  
CASQUILLO EN BISOLFURO DE MOLIBDENO**

**REGOLAZIONE LATERALE  
LATERAL ADJUSTMENT  
REGULACION LATERAL** **± 1**



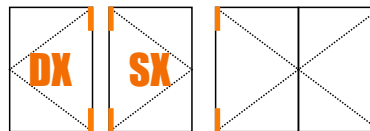
ARTICOLO ARTICLE ARTÍCULO	PROFILO PROFILE PERFIL	CONFEZIONE PACKING EMBALAJE
<b>675</b>	<b>CAMERA EUROPEA TUTTE EUROPEAN CHAMBER ALL CAMARA EUROPEA TODAS</b>	<b>10</b>
<b>676</b>	<b>CAMERA ERRE 40 ERRE 40 CHAMBER CAMARA ERRE 40</b>	
<b>678</b>	<b>CAMERA ERRE 50 ERRE 50 CHAMBER CAMARA ERRE 50</b>	

**VERNICIATI-PAINTED-PINTADO**  
**9005-9010-1013-ARGENTO SILVER PLATA**  
**SATINATO SATIN SATÉN-BRONZO BRONZE BRONCE**  
**GALVANICA-GALVANIC ORO GOLD**

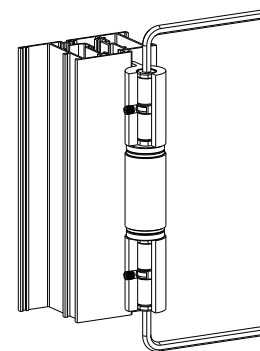


**CERNIERA PER PORTE**  
**DOOR'S HINGE**  
**BISAGRA PARA PUERTAS**

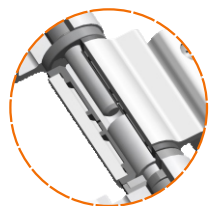
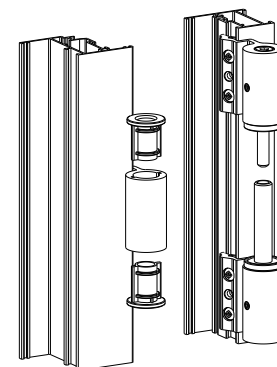
**DIFESA**  
**3 ALI**



**REGOLAZIONE LATERALE**  
**LATERAL ADJUSTMENT**  
**REGULACION LATERAL** **± 1**



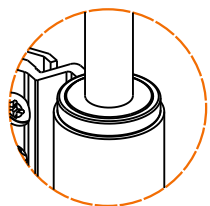
**REGOLAZIONE PRESSIONE**  
**PRESSURE ADJUSTMENT**  
**REGULACION PRESIÓN** **± 0.5**



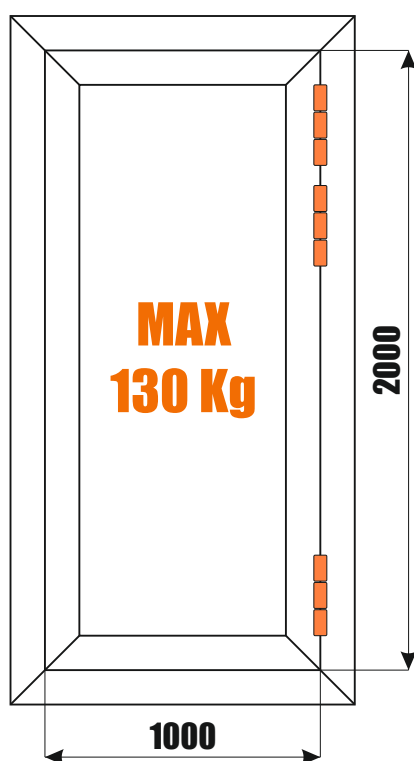
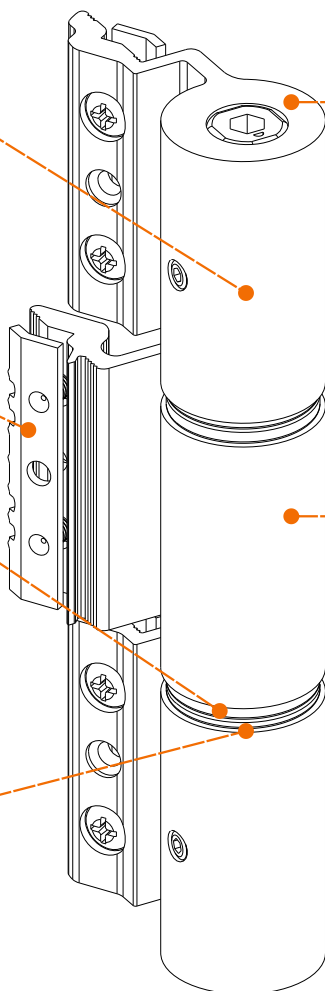
**PERNO TELESCOPICO Ø 13**  
**TELESCOPIC PIVOT Ø 13**  
**EJE TELESCOPICO Ø 13**

**PERNO, VITI E PIASTRINE IN ACCIAIO INOX**  
**STAINLESS STEEL PIVOT, PLATES & FIXING SCREWS**  
**EJE, TORNILLO Y PLACAS EN ACERO INOXIDABLE**

**BOCCOLA IN BISOLFURO DI MOLIBDENO**  
**BISULFIDE MOLIBDENUM BUSHING**  
**CASQUILLO EN BISOLFURO DE MOLIBDENO**



**RONDELLA DI RASAMENTO INOX**  
**INOX SHIM WASHER**  
**CUÑA DE INOXIDABLE**

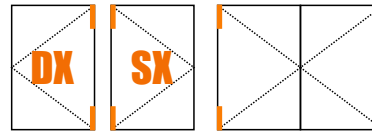


ARTICOLO ARTICLE ARTÍCULO	PROFILO PROFILE PERFIL	CONFEZIONE PACKING EMBALAJE
<b>6903A</b>	<b>CAMERA EUROPEA TUTTE</b> EUROPEAN CHAMBER ALL CAMARA EUROPEA TODAS	<b>10</b>
<b>6913A</b>	<b>CAMERA ERRE 40</b> ERRE 40 CHAMBER CAMARA ERRE 40	
<b>6933A</b>	<b>CAMERA ERRE 40 3° ANTA</b> ERRE 40 CHAMBER 3rd WING CAMARA ERRE 40 3a HOJA	
<b>6953A</b>	<b>NNC 40-SISTEMA 1</b>	

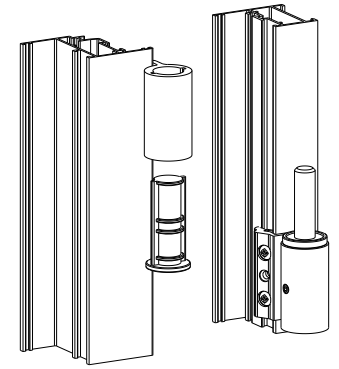
**VERNICIATI-PAINTED-PINTADO**  
**9005-9010-1013-ARGENTO SILVER PLATA**  
**SATINATO SATIN SATÉN-BRONZO BRONZE BRONCE**  
**GALVANICA-GALVANIC ORO GOLD**

**CERNIERA PER PORTE**  
**DOOR'S HINGE**  
**BISAGRA PARA PUERTAS**

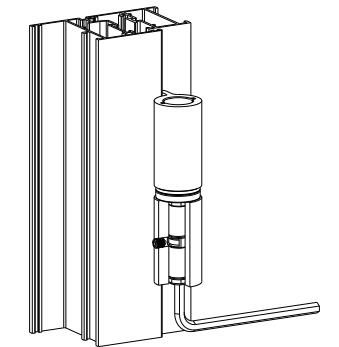
# DIFESA



**REGOLAZIONE PRESSIONE**  
**PRESSURE ADJUSTMENT**  
**REGULACION PRESIÓN** **± 0.5**



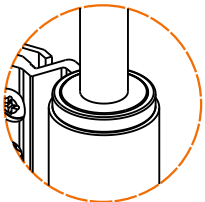
**REGOLAZIONE LATERALE**  
**LATERAL ADJUSTMENT**  
**REGULACION LATERAL** **± 1**



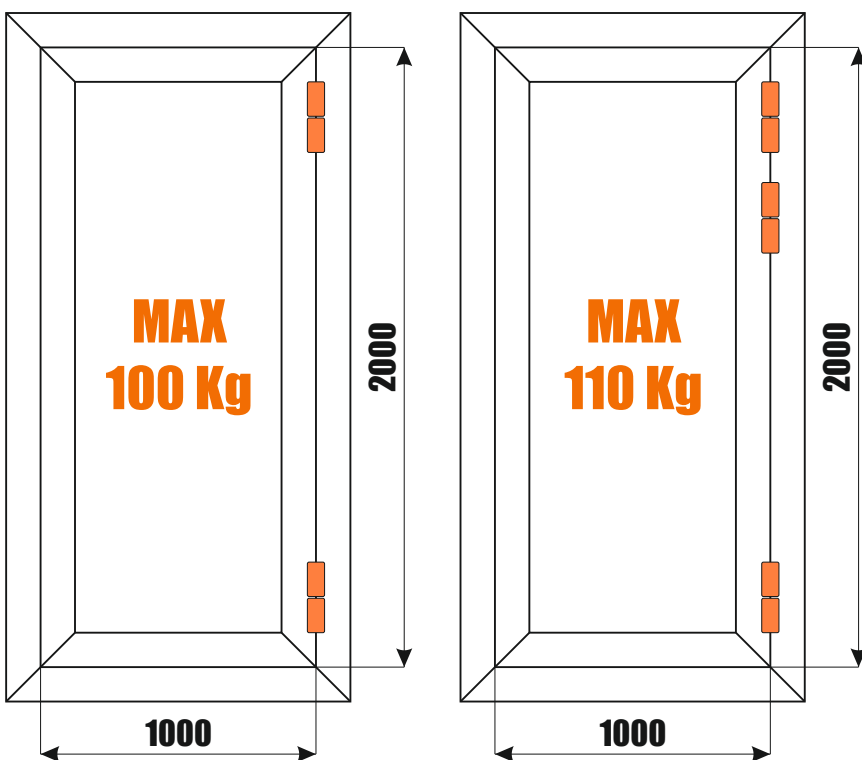
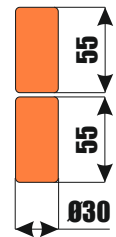
**PERNO Ø 13**  
**PIVOT Ø 13**  
**EJE Ø 13**

**PERNO, VITI E PIASTRINE IN ACCIAIO INOX**  
**STAINLESS STEEL PIVOT, PLATES & FIXING SCREWS**  
**EJE, TORNILLO Y PLACAS EN ACERO INOXIDABLE**

**BOCCOLA IN BISOLFURO DI MOLIBDENO**  
**BISULFIDE MOLIBDENUM BUSHING**  
**CASQUILLO EN BISOLFURO DE MOLIBDENO**



**RONDELLA DI RASAMENTO INOX**  
**INOX SHIM WASHER**  
**CUÑA DE INOXIDABLE**



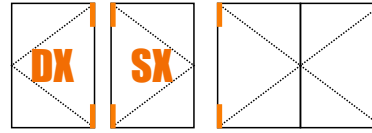
ARTICOLO ARTICLE ARTÍCULO	PROFILO PROFILE PERFIL	CONFEZIONE PACKING EMBALAJE
<b>690</b>	<b>CAMERA EUROPEA TUTTE</b> EUROPEAN CHAMBER ALL CAMARA EUROPEA TODAS	<b>25</b>
<b>691</b>	<b>CAMERA ERRE 40</b> ERRE 40 CHAMBER CAMARA ERRE 40	
<b>693</b>	<b>CAMERA ERRE 40 3° ANTA</b> ERRE 40 CHAMBER 3rd WING CAMARA ERRE 40 3a HOJA	
<b>695</b>	<b>NNC 40-SISTEMA 1</b>	

**VERNICIATI-PAINTED-PINTADO**  
**9005-9010-1013-ARGENTO SILVER PLATA**  
**SATINATO SATIN SATÉN-BRONZO BRONZE BRONCE**  
**GALVANICA-GALVANIC ORO GOLD**

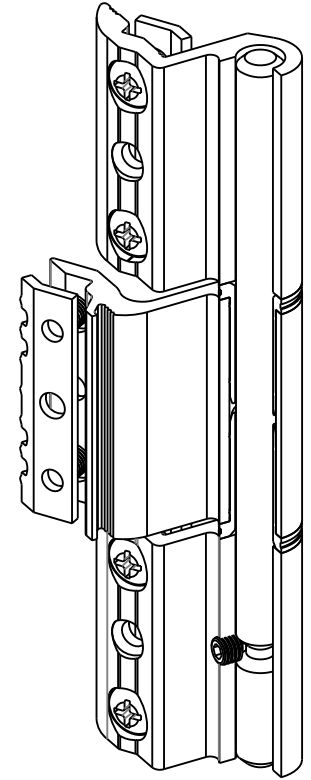
**CERNIERA**  
**HINGE**  
**BISAGRA**

# ATTILA

3 ALI



**PERNO MONOLITICO**  
**MONOLITIC PIVOT**  
**EJE MONOLITICO**

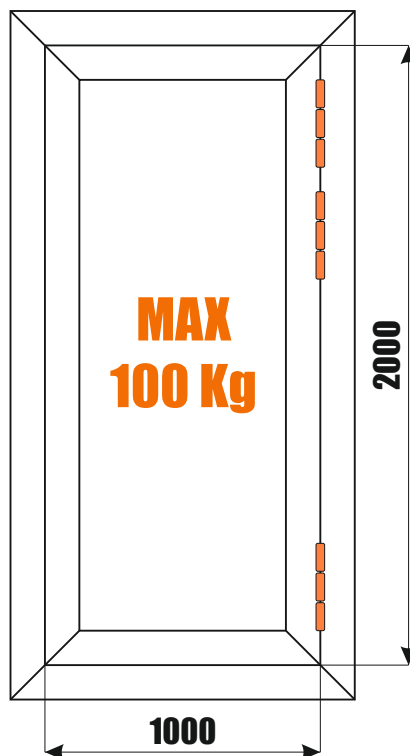
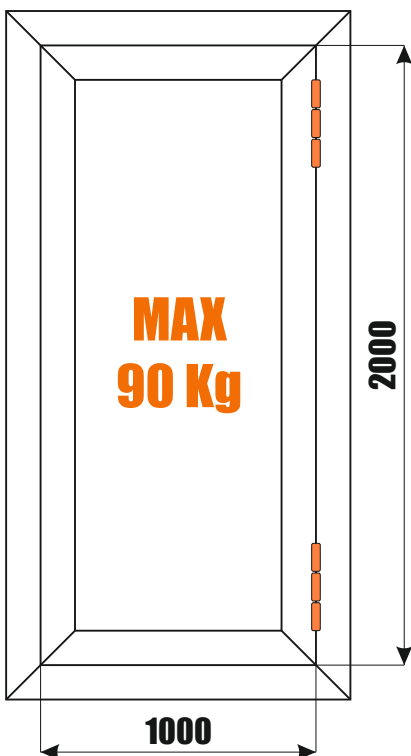
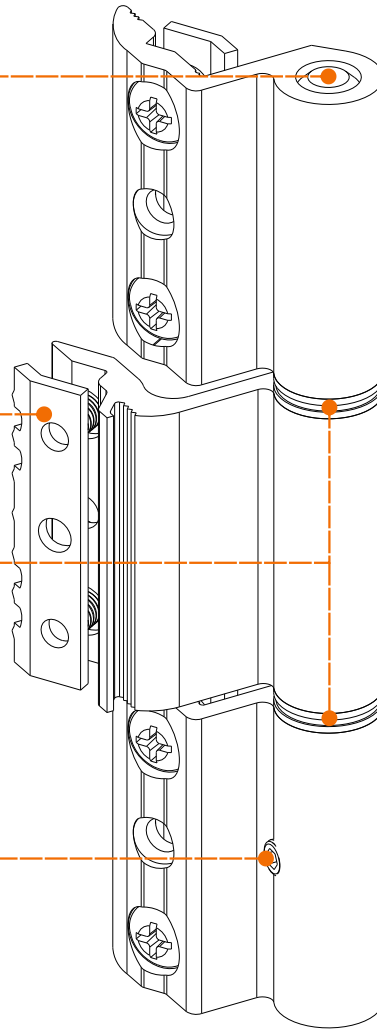


**PERNO IN ACCIAIO INOX Ø 8.5**  
**STAINLESS STEEL PIVOT Ø 8.5**  
**EJE EN ACERO INOXIDABLE Ø 8.5**

**PERNO, VITI E PIASTRINE IN ACCIAIO INOX**  
**STAINLESS STEEL PIVOT, PLATES & FIXING SCREWS**  
**EJE, TORNILLO Y PLACAS EN ACERO INOXIDABLE**

**BOCCOLA IN BISOLFURO DI MOLIBDENO**  
**BISULFIDE MOLIBDENUM BUSHING**  
**CASQUILLO EN BISOLFURO DE MOLIBDENO**

**PERNO REMOVIBILE**  
**REMOVABLE PIVOT**  
**EJE DESMONTABLE**



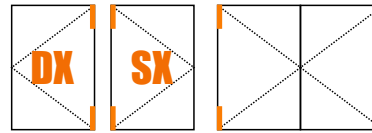
ARTICOLO ARTICLE ARTÍCULO	PROFILO PROFILE PERFIL	CONFEZIONE PACKING EMBALAJE
<b>6013A</b>	<b>CAMERA EUROPEA TUTTE</b> EUROPEAN CHAMBER ALL CAMARA EUROPEA TODAS	<b>25</b>
<b>6023A</b>	<b>CAMERA EUROPEA 3° ANTA</b> EUROPEAN CHAMBER 3rd WING CAMARA EUROPEA 3a HOJA	
<b>6093A</b>	<b>CAMERA ERRE 40</b> ERRE 40 CHAMBER CAMARA ERRE 40	
<b>6063A</b>	<b>NNC 40-SISTEMA 1</b>	

**VERNICIATI-PAINTED-PINTADO**  
**9005-9010-1013-ARGENTO SILVER PLATA**  
**SATINATO SATIN SATÉN-BRONZO BRONZE BRONCE**  
**GALVANICA-GALVANIC ORO GOLD**

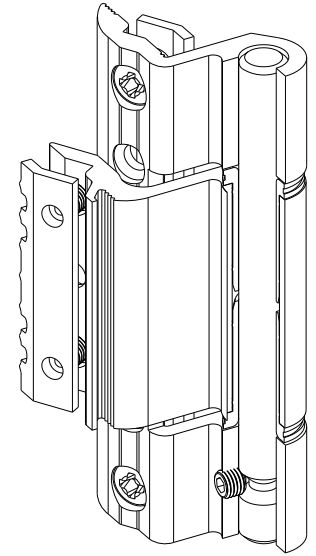
**CERNIERA**  
**HINGE**  
**BISAGRA**

# ATTILA

**PETTINE**



**PERNO MONOLITICO**  
**MONOLITIC PIVOT**  
**EJE MONOLITICO**

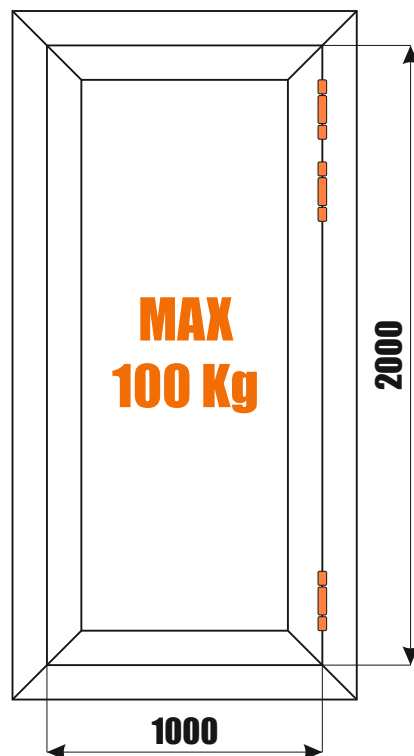
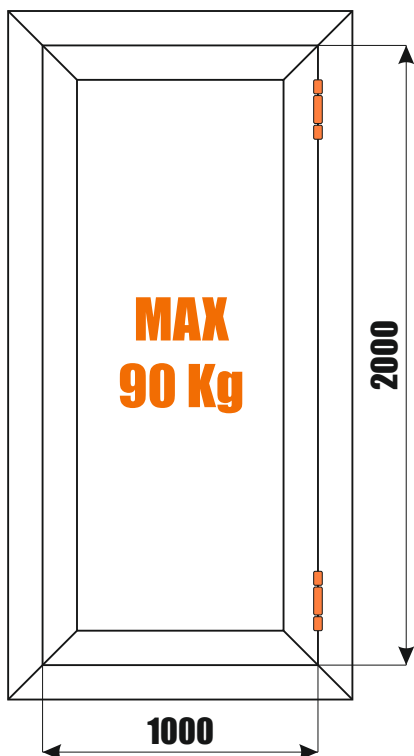
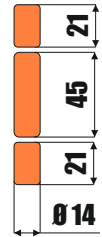
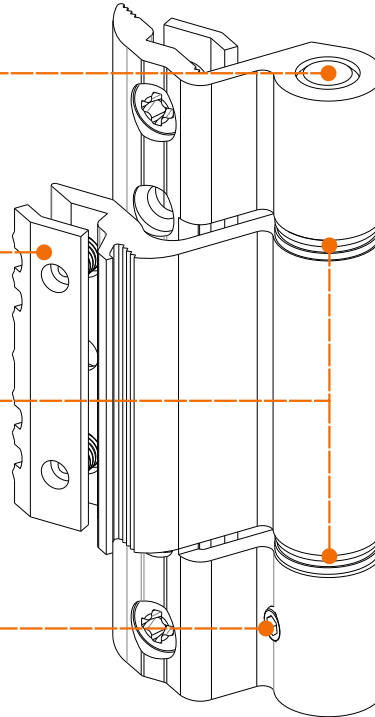


**PERNO IN ACCIAIO INOX Ø 8.5**  
**STAINLESS STEEL PIVOT Ø 8.5**  
**EJE EN ACERO INOXIDABLE Ø 8.5**

**PERNO, VITI E PIASTRINE IN ACCIAIO INOX**  
**STAINLESS STEEL PIVOT, PLATES & FIXING SCREWS**  
**EJE, TORNILLO Y PLACAS EN ACERO INOXIDABLE**

**BOCCOLA IN BISOLFURO DI MOLIBDENO**  
**BISULFIDE MOLIBDENUM BUSHING**  
**CASQUILLO EN BISOLFURO DE MOLIBDENO**

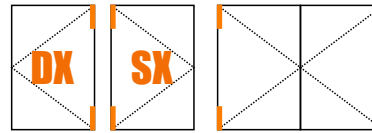
**PERNO REMOVIBILE**  
**REMOVABLE PIVOT**  
**EJE DESMONTABLE**



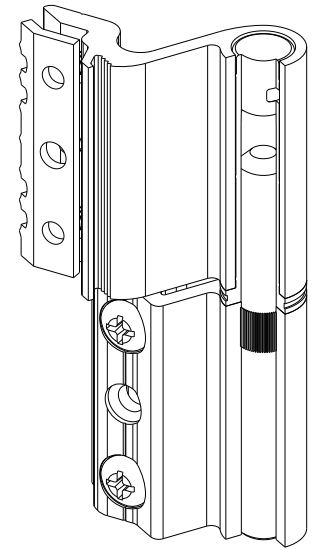
ARTICOLO ARTICLE ARTÍCULO	PROFILO PROFILE PERFIL	CONFEZIONE PACKING EMBALAJE
<b>625</b>	<b>CAMERA EUROPEA TUTTE</b> EUROPEAN CHAMBER ALL CAMARA EUROPEA TODAS	<b>50</b>
<b>626</b>	<b>CAMERA EUROPEA 3° ANTA</b> EUROPEAN CHAMBER 3rd WING CAMARA EUROPEA 3a HOJA	
<b>630</b>	<b>CAMERA ERRE 40</b> ERRE 40 CHAMBER CAMARA ERRE 40	

**VERNICIATI-PAINTED-PINTADO**  
**9005-9010-1013-ARGENTO SILVER PLATA**  
**SATINATO SATIN SATÉN-BRONZO BRONZE BRONCE**  
**GALVANICA-GALVANIC ORO GOLD**

**CERNIERA**  
**HINGE**  
**BISAGRA** **ATTILA**



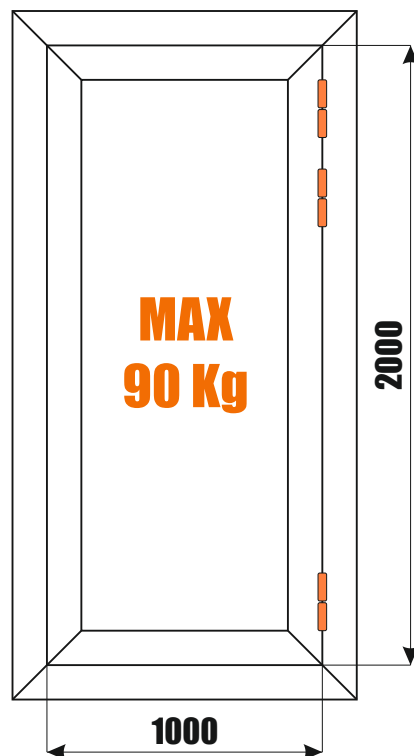
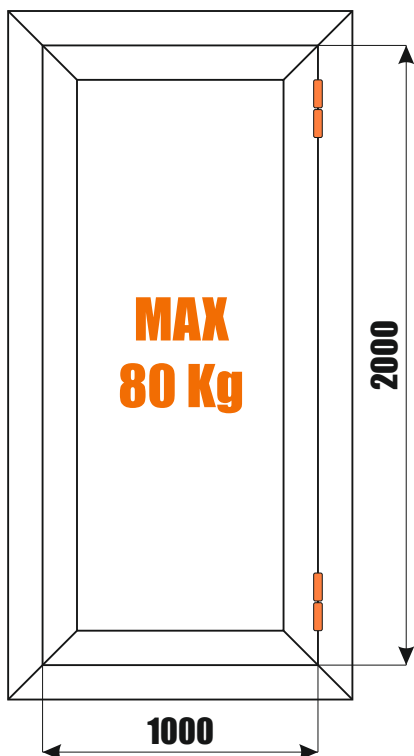
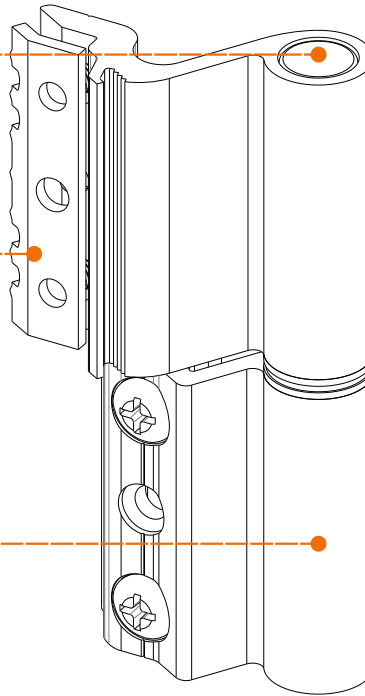
**PERNO ZIGRINATO**  
**KNURLED PIVOT**  
**EJE MOLETEADO**



**BOCCOLA IN BISOLFURO DI MOLIBDENO**  
**BISULFIDE MOLIBDENUM BUSHING**  
**CASQUILLO EN BISOLFURO DE MOLIBDENO**

**PERNO, VITI E PIASTRINE IN ACCIAIO INOX**  
**STAINLESS STEEL PIVOT, PLATES & FIXING SCREWS**  
**EJE, TORNILLO Y PLACAS EN ACERO INOXIDABLE**

**PERNO IN ACCIAIO INOX Ø 8.5**  
**STAINLESS STEEL PIVOT Ø 8.5**  
**EJE EN ACERO INOXIDABLE Ø 8.5**

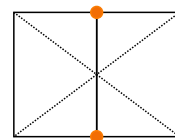


ARTICOLO ARTICLE ARTÍCULO	PROFILO PROFILE PERFIL	CONFEZIONE PACKING EMBALAJE
<b>601</b>	<b>CAMERA EUROPEA TUTTE</b> EUROPEAN CHAMBER ALL CAMARA EUROPEA TODAS	<b>50</b>
<b>602</b>	<b>CAMERA EUROPEA 3° ANTA</b> EUROPEAN CHAMBER 3rd WING CAMARA EUROPEA 3a HOJA	
<b>609</b>	<b>CAMERA ERRE 40</b> ERRE 40 CHAMBER CAMARA ERRE 40	
<b>604</b>	<b>CAMERA ERRE 40 3° ANTA</b> ERRE 40 CHAMBER 3rd WING CAMARA ERRE 40 3a HOJA	
<b>606</b>	<b>NNC 40-SISTEMA 1</b>	

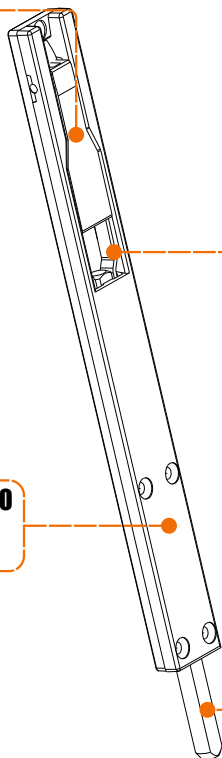
**VERNICIATI-PAINTED-PINTADO**  
**9005-9010-1013-ARGENTO SILVER PLATA**  
**SATINATO SATIN SATÉN-BRONZO BRONZE BRONCE**  
**GALVANICA-GALVANIC ORO GOLD**

**CATENACCIO A LEVA PER PROFILI PORTA**  
**LEVER BOLT FOR DOORS PROFILES**  
**PASADOR DE LEVA PARA PERFIL PUERTA**

# PIT BULL



ZAMA  
ZAMAK  
ZAMAC

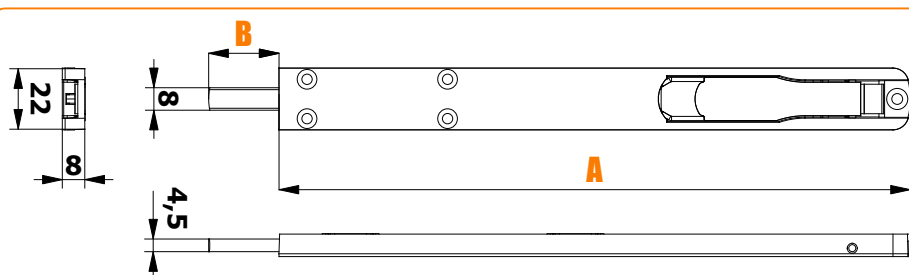


ACCIAIO ZINCATO  
GALVANIZED STEEL  
ACERO GALVANIZADO

ALLUMINIO ESTRUSO  
EXTRUDED ALUMINIUM  
ALUMINIO EXTRUIDO

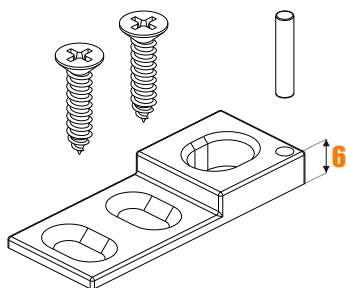
ARTICOLO ARTICLE ARTÍCULO	A	B	PROFILO PROFILE PERFIL	CONFEZIONE PACKING EMBALAJE
173.1	225	25	PROFILI PORTA DOOR PROFILES PERFIL DE PUERTA	10
173.2	225	35		
174.1	145	25		
174.2	145	35		

**VERNICIATI-PAINTED-PINTADO**  
**9005-9010-9006 OPACO MATT**



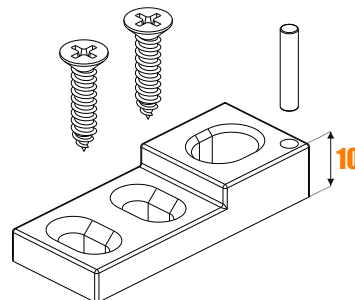
## INCONTRI-STRIKERS-CERRADERO

ARTICOLO ARTICLE ARTÍCULO	PROFILO PROFILE PERFIL	CONFEZIONE PACKING EMBALAJE
172.1	PROFILI PORTA DOOR PROFILES PERFIL DE PUERTA	20



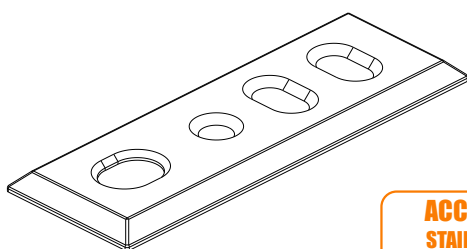
ZAMA  
ZAMAK  
ZAMAC

ARTICOLO ARTICLE ARTÍCULO	PROFILO PROFILE PERFIL	CONFEZIONE PACKING EMBALAJE
172.2	PROFILI PORTA DOOR PROFILES PERFIL DE PUERTA	20



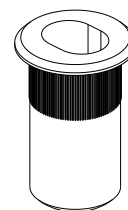
ZAMA  
ZAMAK  
ZAMAC

ARTICOLO ARTICLE ARTÍCULO	PROFILO PROFILE PERFIL	CONFEZIONE PACKING EMBALAJE
172.3	UNIVERSALE UNIVERSAL	20

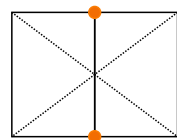


ACCIAIO INOX  
STAINLESS STEEL  
ACERO INOXIDABLE

ARTICOLO ARTICLE ARTÍCULO	PROFILO PROFILE PERFIL	CONFEZIONE PACKING EMBALAJE
172.4	UNIVERSALE UNIVERSAL	20



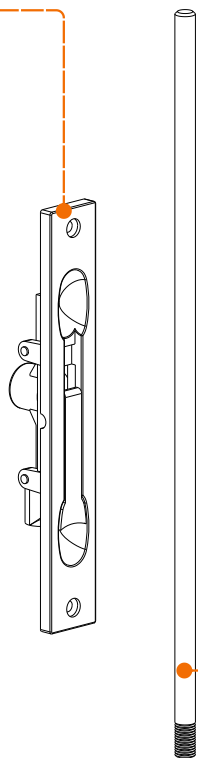
ALLUMINIO ESTRUSO  
EXTRUDED ALUMINIUM  
ALUMINIO EXTRUIDO



**CATENACCIO A LEVA PER ASTE INTERNE**  
**LEVER BOLTS FOR DOORS INTERNAL RODS**  
**PASADOR DE LEVA PARA BARRAS INTERNAS**

# INSIDE

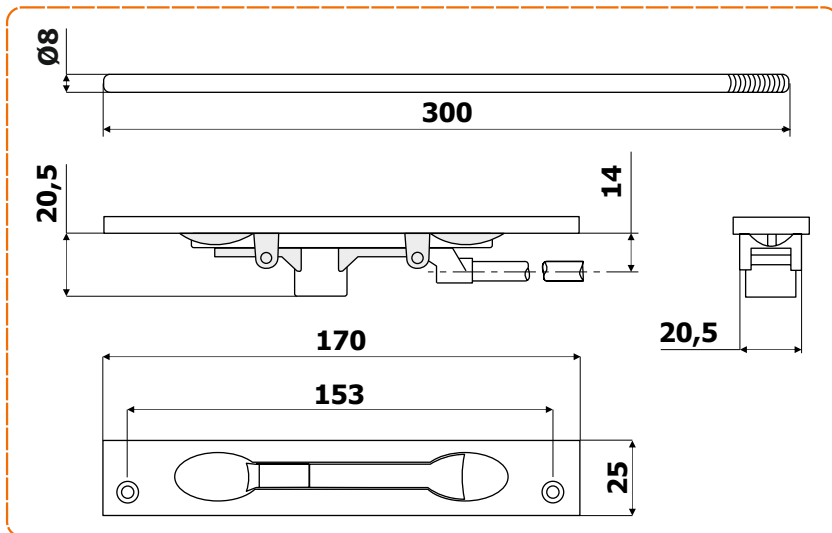
**ZAMA**  
**ZAMAK**  
**ZAMAC**



**ACCIAIO ZINCATO**  
**GALVANIZED STEEL**  
**ACERO GALVANIZADO**

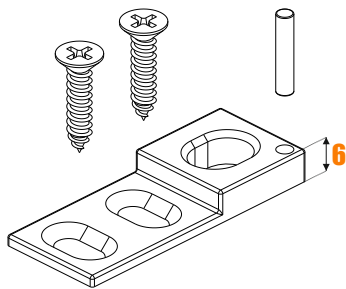
ARTICOLO ARTICLE ARTÍCULO	PROFILO PROFILE PERFIL	CONFEZIONE PACKING EMBALAJE
<b>172</b>	<b>PROFILI PORTA</b> <b>DOOR PROFILES</b> <b>PERFIL DE PUERTA</b>	<b>25</b>

**VERNICIATI-PAINTED-PINTADO**  
**9005-9010-1013-ARGENTO SILVER PLATA**



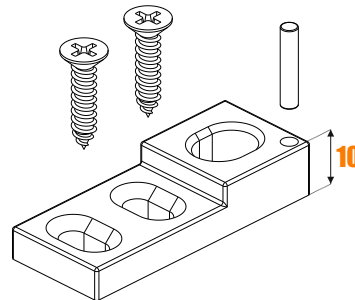
## INCONTRI-STRIKERS-CERRADERO

ARTICOLO ARTICLE ARTÍCULO	PROFILO PROFILE PERFIL	CONFEZIONE PACKING EMBALAJE
<b>172.1</b>	<b>PROFILI PORTA</b> <b>DOOR PROFILES</b> <b>PERFIL DE PUERTA</b>	<b>20</b>



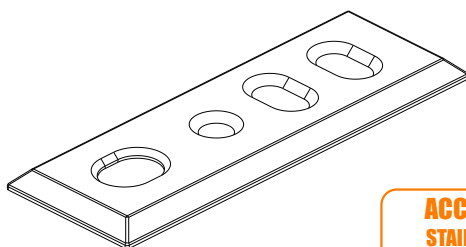
**ZAMA**  
**ZAMAK**  
**ZAMAC**

ARTICOLO ARTICLE ARTÍCULO	PROFILO PROFILE PERFIL	CONFEZIONE PACKING EMBALAJE
<b>172.2</b>	<b>PROFILI PORTA</b> <b>DOOR PROFILES</b> <b>PERFIL DE PUERTA</b>	<b>20</b>



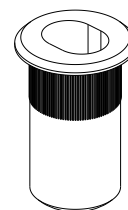
**ZAMA**  
**ZAMAK**  
**ZAMAC**

ARTICOLO ARTICLE ARTÍCULO	PROFILO PROFILE PERFIL	CONFEZIONE PACKING EMBALAJE
<b>172.3</b>	<b>UNIVERSALE</b> <b>UNIVERSAL</b>	<b>20</b>



**ACCIAIO INOX**  
**STAINLESS STEEL**  
**ACERO INOXIDABLE**

ARTICOLO ARTICLE ARTÍCULO	PROFILO PROFILE PERFIL	CONFEZIONE PACKING EMBALAJE
<b>172.4</b>	<b>UNIVERSALE</b> <b>UNIVERSAL</b>	<b>20</b>



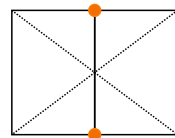
**ALLUMINIO ESTRUSO**  
**EXTRUDED ALUMINUM**  
**ALUMINIO EXTRUIDO**

**CATENACCIO BIDIREZIONALE PUNTALE RINFORZATO**

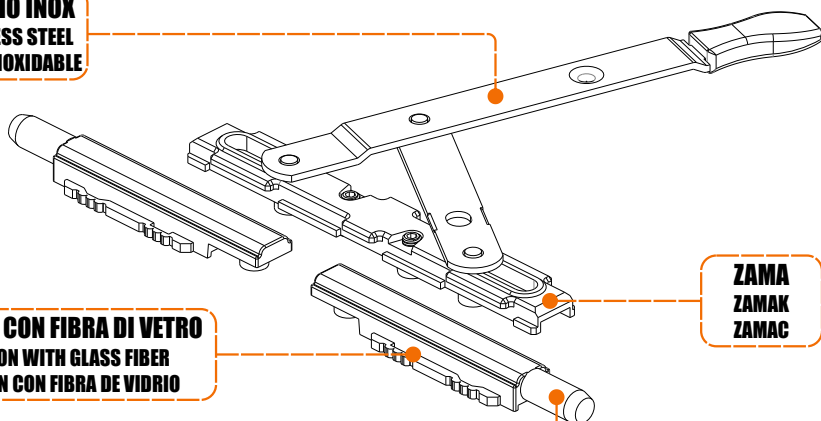
**REINFORCED TIP BIDIRECTIONAL BOLT**

**PASADOR BIDIRECCIONAL PUNTA RENFORZADA**

# MAXI PUMA B+



**ACCIAIO INOX**  
STAINLESS STEEL  
ACERO INOXIDABLE



**NYLON CON FIBRA DI VETRO**  
NYLON WITH GLASS FIBER  
NYLON CON FIBRA DE VIDRIO

**ZAMA**  
ZAMAK  
ZAMAC

**PERNO IN ACCIAIO INOX Ø 9 (ART. 176.2BLV Ø 7)**  
STAINLESS STEEL PIVOT Ø 9 (ART. 176.2BLV Ø 7)  
EJE EN ACERO INOXIDABLE Ø 9 (ART. 176.2BLV Ø 7)

ARTICOLO ARTICLE ARTÍCULO	PROFILO PROFILE PERFIL	CONFEZIONE PACKING EMBALAJE
<b>175.2BLV</b>	CAMERA EUROPEA 20 mm EUROPEAN CHAMBER 20 mm CAMARA EUROPEA 20 mm	<b>25</b>
<b>176.2BLV</b>	CAMERA ERRE 40 ERRE 40 CHAMBER CAMARA ERRE 40	
<b>177.2BLV</b>	NC INTERNATIONAL	
<b>178.2BLV</b>	CAMERA EUROPEA 18 mm EUROPEAN CHAMBER 18 mm CAMARA EUROPEA 18 mm	

## INCONTRI-STRIKERS-CERRADERO

ARTICOLO ARTICLE ARTÍCULO	PROFILO PROFILE PERFIL	CONFEZIONE PACKING EMBALAJE	ARTICOLO ARTICLE ARTÍCULO	PROFILO PROFILE PERFIL	CONFEZIONE PACKING EMBALAJE	ARTICOLO ARTICLE ARTÍCULO	PROFILO PROFILE PERFIL	CONFEZIONE PACKING EMBALAJE
<b>185</b>	CAMERA EUROPEA <b>TUTTE</b> EUROPEAN CHAMBER <b>ALL</b> CAMARA EUROPEA <b>TODAS</b>	<b>200</b>	<b>180</b>	CAMERA EUROPEA 14/18 E NC EUROPEAN CHAMBER 14/18 & NC CAMARA EUROPEA 14/18 Y NC	<b>200</b>	<b>180.2</b>	CAMERA EUROPEA 14/18 E NC EUROPEAN CHAMBER 14/18 & NC CAMARA EUROPEA 14/18 Y NC	<b>200</b>
	<b>ZAMA</b> ZAMAK ZAMAC			<b>ZAMA</b> ZAMAK ZAMAC			<b>ZAMA</b> ZAMAK ZAMAC	
<b>196</b>	CAMERA ERRE 40 ERRE 40 CHAMBER CAMARA ERRE 40	<b>200</b>	<b>190</b>	CAMERA EUROPEA 14/18 E NC EUROPEAN CHAMBER 14/18 & NC CAMARA EUROPEA 14/18 Y NC	<b>200</b>	<b>190.2</b>	CAMERA EUROPEA 14/18 E NC EUROPEAN CHAMBER 14/18 & NC CAMARA EUROPEA 14/18 Y NC	<b>200</b>
	<b>NYLON</b>			<b>NYLON</b>			<b>NYLON</b>	
<b>172.3</b>	UNIVERSALE UNIVERSAL	<b>20</b>	<b>172.4</b>	UNIVERSALE UNIVERSAL	<b>20</b>	<b>162DX</b> <b>162SX</b>	NNC 40-SISTEMA 1	<b>200</b>
	<b>ACCIAIO INOX</b> STAINLESS STEEL ACERO INOXIDABLE			<b>ALLUMINIO ESTRUSO</b> EXTRUDED ALUMINUM ALUMINIO EXTRUIDO			<b>NYLON</b>	
						IMMAGINE 162DX PICTURE 162DX IMAGEN 162DX		

## SCOMPOSTI-BROKEN DOWN-DESCOMPUESTO

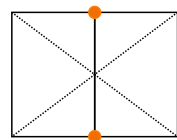
MANOVRA MOVEMENT MANDO	ARTICOLO ARTICLE ARTÍCULO	PROFILO PROFILE PERFIL	CONFEZIONE PACKING EMBALAJE	TERMINALE ASTA ROD TERMINAL TERMINAL PLETINA	ARTICOLO ARTICLE ARTÍCULO	PROFILO PROFILE PERFIL	CONFEZIONE PACKING EMBALAJE
	<b>175.1BLV</b>	CAMERA EUROPEA 20 mm EUROPEAN CHAMBER 20 mm CAMARA EUROPEA 20 mm	<b>50</b>		<b>163.2</b>	CAMERA EUROPEA 20 mm EUROPEAN CHAMBER 20 mm CAMARA EUROPEA 20 mm	<b>200</b>
	<b>176.1BLV</b>	CAMERA ERRE 40 ERRE 40 CHAMBER CAMARA ERRE 40			<b>167.2</b>	CAMERA ERRE 40 ERRE 40 CHAMBER CAMARA ERRE 40	<b>100</b>
	<b>177.1BLV</b>	NC INTERNATIONAL			<b>165.2</b>	NC INTERNATIONAL	<b>200</b>
	<b>178.1BLV</b>	CAMERA EUROPEA 18 mm EUROPEAN CHAMBER 18 mm CAMARA EUROPEA 18 mm			<b>168.2</b>	CAMERA EUROPEA 18 mm EUROPEAN CHAMBER 18 mm CAMARA EUROPEA 18 mm	<b>200</b>

**A-32**



**CATENACCIO A LEVA PUNTALE RINFORZATO**  
**REINFORCED TIP LEVER BOLT**  
**PASADOR DE LEVA PUNTA RINFORZADA**

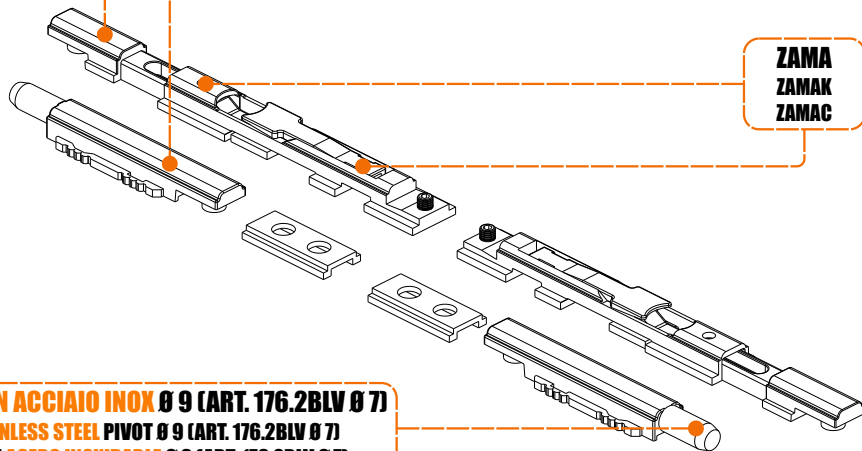
# MAXI PUMA +



**NYLON CON FIBRA DI VETRO**  
**NYLON WITH GLASS FIBER**  
**NYLON CON FIBRA DE VIDRIO**

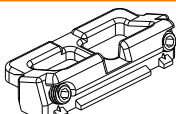
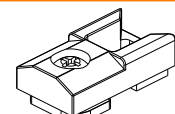

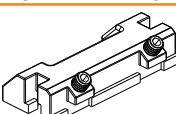
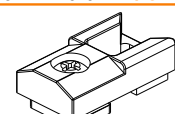
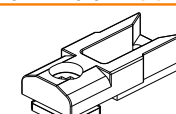
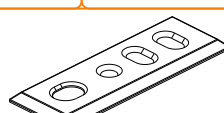
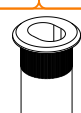

**ZAMA**  
**ZAMAK**  
**ZAMAC**

ARTICOLO ARTICLE ARTÍCULO	PROFILO PROFILE PERFIL	CONFEZIONE PACKING EMBALAJE
<b>175.2LV</b>	CAMERA EUROPEA 20 mm EUROPEAN CHAMBER 20 mm CAMARA EUROPEA 20 mm	<b>25</b>
<b>176.2LV</b>	CAMERA ERRE 40 ERRE 40 CHAMBER CAMARA ERRE 40	
<b>177.2LV</b>	NC INTERNATIONAL	
<b>178.2LV</b>	CAMERA EUROPEA 18 mm EUROPEAN CHAMBER 18 mm CAMARA EUROPEA 18 mm	

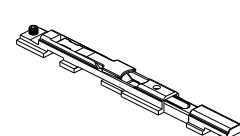
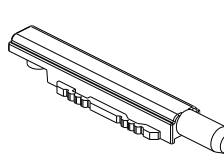


**PERNO IN ACCIAIO INOX Ø 9 (ART. 176.2BLV Ø 7)**  
**STAINLESS STEEL PIVOT Ø 9 (ART. 176.2BLV Ø 7)**  
**EJE EN ACERO INOXIDABLE Ø 9 (ART. 176.2BLV Ø 7)**

## INCONTRI-STRIKERS-CERRADERO

ARTICOLO ARTICLE ARTÍCULO	PROFILO PROFILE PERFIL	CONFEZIONE PACKING EMBALAJE	ARTICOLO ARTICLE ARTÍCULO	PROFILO PROFILE PERFIL	CONFEZIONE PACKING EMBALAJE	ARTICOLO ARTICLE ARTÍCULO	PROFILO PROFILE PERFIL	CONFEZIONE PACKING EMBALAJE
<b>185</b>	CAMERA EUROPEA <b>TUTTE</b> EUROPEAN CHAMBER <b>ALL</b> CAMARA EUROPEA <b>TODAS</b>	<b>200</b>	<b>180</b>	CAMERA EUROPEA 14/18 E NC EUROPEAN CHAMBER 14/18 & NC CAMARA EUROPEA 14/18 Y NC	<b>200</b>	<b>180.2</b>	CAMERA EUROPEA 14/18 E NC EUROPEAN CHAMBER 14/18 & NC CAMARA EUROPEA 14/18 Y NC	<b>200</b>
								
<b>ZAMA</b> <b>ZAMAK</b> <b>ZAMAC</b>			<b>ZAMA</b> <b>ZAMAK</b> <b>ZAMAC</b>			<b>ZAMA</b> <b>ZAMAK</b> <b>ZAMAC</b>		
<b>196</b>	CAMERA ERRE 40 ERRE 40 CHAMBER CAMARA ERRE 40	<b>200</b>	<b>190</b>	CAMERA EUROPEA 14/18 E NC EUROPEAN CHAMBER 14/18 & NC CAMARA EUROPEA 14/18 Y NC	<b>200</b>	<b>190.2</b>	CAMERA EUROPEA 14/18 E NC EUROPEAN CHAMBER 14/18 & NC CAMARA EUROPEA 14/18 Y NC	<b>200</b>
								
<b>NYLON</b>			<b>NYLON</b>			<b>NYLON</b>		
<b>172.3</b>	UNIVERSALE UNIVERSAL	<b>20</b>	<b>172.4</b>	UNIVERSALE UNIVERSAL	<b>20</b>	<b>162DX</b> <b>162SX</b>	NNC 40-SISTEMA 1	<b>200</b>
								
<b>ACCIAIO INOX</b> <b>STAINLESS STEEL</b> <b>ACERO INOXIDABLE</b>			<b>ALLUMINIO ESTRUSO</b> <b>EXTRUDED ALUMINUM</b> <b>ALUMINIO EXTRUIDO</b>			<b>IMMAGINE 162DX</b> <b>PICTURE 162DX</b> <b>IMAGEN 162DX</b>		

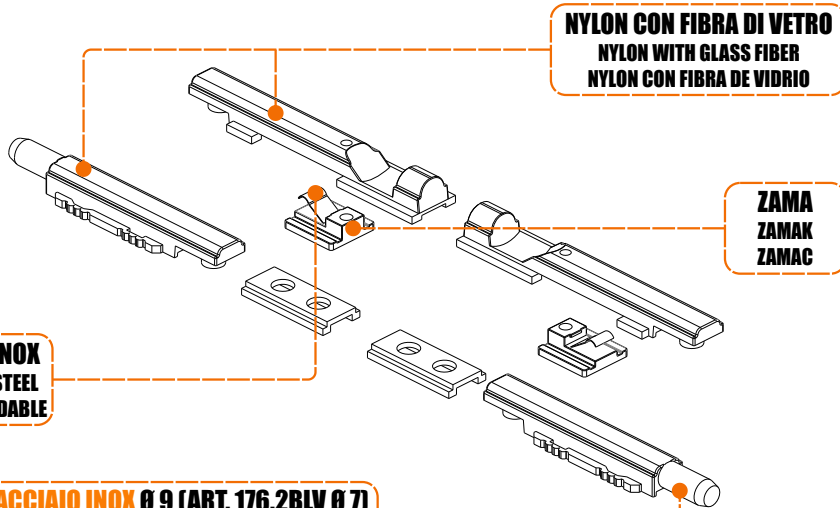
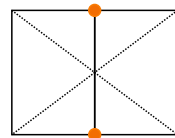
## SCOMPOSTI-BROKEN DOWN-DESCOMPUESTO

MANOVRA MOVEMENT MANDO	ARTICOLO ARTICLE ARTÍCULO	PROFILO PROFILE PERFIL	CONFEZIONE PACKING EMBALAJE	TERMINALE ASTA ROD TERMINAL TERMINAL PLETINA	ARTICOLO ARTICLE ARTÍCULO	PROFILO PROFILE PERFIL	CONFEZIONE PACKING EMBALAJE
	<b>175.1LV</b>	CAMERA EUROPEA 20 mm EUROPEAN CHAMBER 20 mm CAMARA EUROPEA 20 mm	<b>50</b>		<b>163.2</b>	CAMERA EUROPEA 20 mm EUROPEAN CHAMBER 20 mm CAMARA EUROPEA 20 mm	<b>200</b>
	<b>176.1LV</b>	CAMERA ERRE 40 ERRE 40 CHAMBER CAMARA ERRE 40			<b>167.2</b>	CAMERA ERRE 40 ERRE 40 CHAMBER CAMARA ERRE 40	<b>100</b>
	<b>177.1LV</b>	NC INTERNATIONAL			<b>165.2</b>	NC INTERNATIONAL	<b>200</b>
	<b>178.1LV</b>	CAMERA EUROPEA 18 mm EUROPEAN CHAMBER 18 mm CAMARA EUROPEA 18 mm			<b>168.2</b>	CAMERA EUROPEA 18 mm EUROPEAN CHAMBER 18 mm CAMARA EUROPEA 18 mm	<b>200</b>

**A-33**

**CATENACCIO DIRETTO PUNTALE RINFORZATO**  
**REINFORCED TIP DIRECT BOLT**  
**PASADOR DIRECTO PUNTA RENFORZADA**

# MAXI PUMA



**NYLON CON FIBRA DI VETRO**  
 NYLON WITH GLASS FIBER  
 NYLON CON FIBRA DE VIDRIO

**ZAMA**  
 ZAMAK  
 ZAMAC

**ACCIAIO INOX**  
 STAINLESS STEEL  
 ACERO INOXIDABLE

**PERNO IN ACCIAIO INOX Ø 9 (ART. 176.2BLV Ø 7)**  
**STAINLESS STEEL PIVOT Ø 9 (ART. 176.2BLV Ø 7)**  
**EJE EN ACERO INOXIDABLE Ø 9 (ART. 176.2BLV Ø 7)**

ARTICOLO ARTICLE ARTÍCULO	PROFILO PROFILE PERFIL	CONFEZIONE PACKING EMBALAJE
<b>175.2</b>	CAMERA EUROPEA 20 mm EUROPEAN CHAMBER 20 mm CAMARA EUROPEA 20 mm	<b>25</b>
<b>176.2</b>	CAMERA ERRE 40 ERRE 40 CHAMBER CAMARA ERRE 40	
<b>177.2</b>	NC INTERNATIONAL	
<b>178.2</b>	CAMERA EUROPEA 18 mm EUROPEAN CHAMBER 18 mm CAMARA EUROPEA 18 mm	

## INCONTRI-STRIKERS-CERRADERO

ARTICOLO ARTICLE ARTÍCULO	PROFILO PROFILE PERFIL	CONFEZIONE PACKING EMBALAJE	ARTICOLO ARTICLE ARTÍCULO	PROFILO PROFILE PERFIL	CONFEZIONE PACKING EMBALAJE	ARTICOLO ARTICLE ARTÍCULO	PROFILO PROFILE PERFIL	CONFEZIONE PACKING EMBALAJE
<b>185</b>	CAMERA EUROPEA <b>TUTTE</b> EUROPEAN CHAMBER <b>ALL</b> CAMARA EUROPEA <b>TODAS</b>	<b>200</b>	<b>180</b>	CAMERA EUROPEA 14/18 E NC EUROPEAN CHAMBER 14/18 & NC CAMARA EUROPEA 14/18 Y NC	<b>200</b>	<b>180.2</b>	CAMERA EUROPEA 14/18 E NC EUROPEAN CHAMBER 14/18 & NC CAMARA EUROPEA 14/18 Y NC	<b>200</b>
	<b>ZAMA</b> ZAMAK ZAMAC			<b>ZAMA</b> ZAMAK ZAMAC			<b>ZAMA</b> ZAMAK ZAMAC	
<b>196</b>	CAMERA ERRE 40 ERRE 40 CHAMBER CAMARA ERRE 40	<b>200</b>	<b>190</b>	CAMERA EUROPEA 14/18 E NC EUROPEAN CHAMBER 14/18 & NC CAMARA EUROPEA 14/18 Y NC	<b>200</b>	<b>190.2</b>	CAMERA EUROPEA 14/18 E NC EUROPEAN CHAMBER 14/18 & NC CAMARA EUROPEA 14/18 Y NC	<b>200</b>
	<b>NYLON</b>			<b>NYLON</b>			<b>NYLON</b>	
<b>172.3</b>	UNIVERSALE UNIVERSAL	<b>20</b>	<b>172.4</b>	UNIVERSALE UNIVERSAL	<b>20</b>	<b>162DX</b> <b>162SX</b>	NNC 40-SISTEMA 1	<b>200</b>
	<b>ACCIAIO INOX</b> STAINLESS STEEL ACERO INOXIDABLE			<b>ALLUMINIO ESTRUSO</b> EXTRUDED ALUMINUM ALUMINIO EXTRUIDO		<b>IMMAGINE 162DX</b> <b>PICTURE 162DX</b> <b>IMAGEN 162DX</b>		<b>NYLON</b>

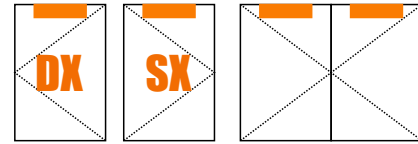
## SCOMPOSTI-BROKEN DOWN-DESCOMPUESTO

MANOVRA MOVEMENT MANDO	ARTICOLO ARTICLE ARTÍCULO	PROFILO PROFILE PERFIL	CONFEZIONE PACKING EMBALAJE	TERMINALE ASTA ROD TERMINAL TERMINAL PLETINA	ARTICOLO ARTICLE ARTÍCULO	PROFILO PROFILE PERFIL	CONFEZIONE PACKING EMBALAJE
	<b>175.1</b>	CAMERA EUROPEA 20 mm EUROPEAN CHAMBER 20 mm CAMARA EUROPEA 20 mm	<b>50</b>		<b>163.2</b>	CAMERA EUROPEA 20 mm EUROPEAN CHAMBER 20 mm CAMARA EUROPEA 20 mm	<b>200</b>
	<b>176.1</b>	CAMERA ERRE 40 ERRE 40 CHAMBER CAMARA ERRE 40			<b>167.2</b>	CAMERA ERRE 40 ERRE 40 CHAMBER CAMARA ERRE 40	<b>100</b>
	<b>177.1</b>	NC INTERNATIONAL			<b>165.2</b>	NC INTERNATIONAL	<b>200</b>
	<b>178.1</b>	CAMERA EUROPEA 18 mm EUROPEAN CHAMBER 18 mm CAMARA EUROPEA 18 mm			<b>168.2</b>	CAMERA EUROPEA 18 mm EUROPEAN CHAMBER 18 mm CAMARA EUROPEA 18 mm	<b>200</b>

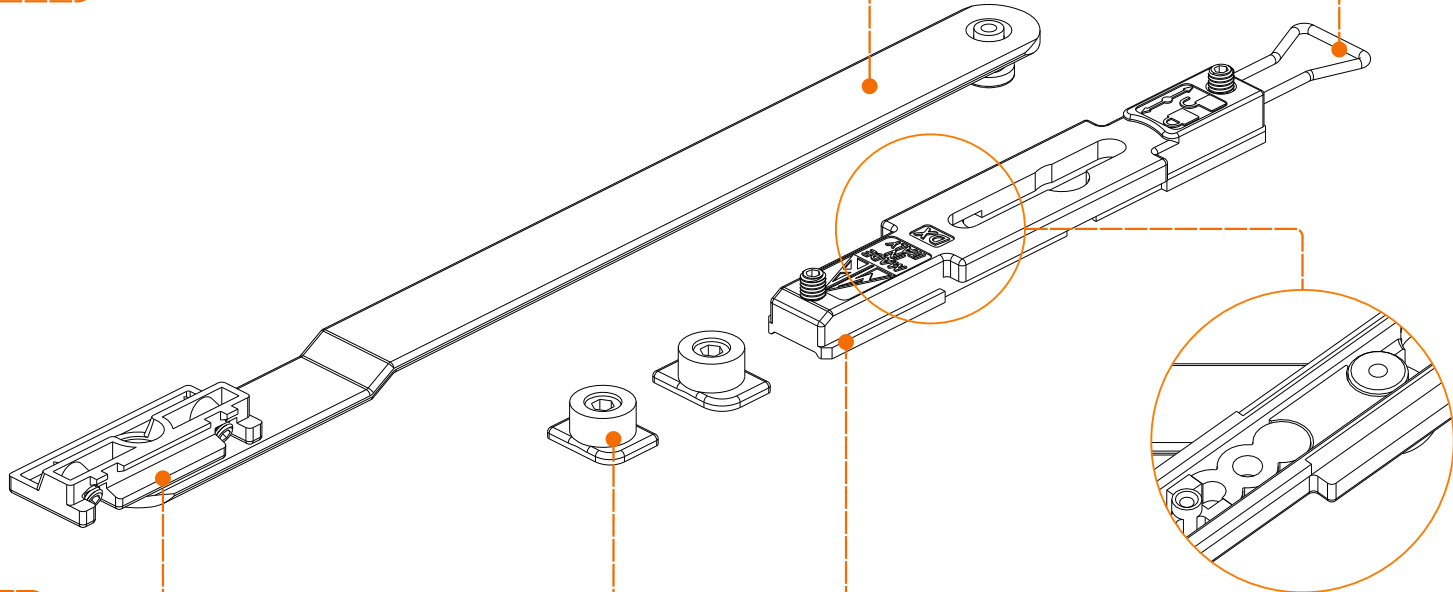
**A-34**

**BRACCIO LIMITATORE AMMORTIZZATO**  
**SHOCK ABSORBED OPENING LIMITATOR**  
**BRAZO LIMITADOR AMORTIZADO**

# STOPPER



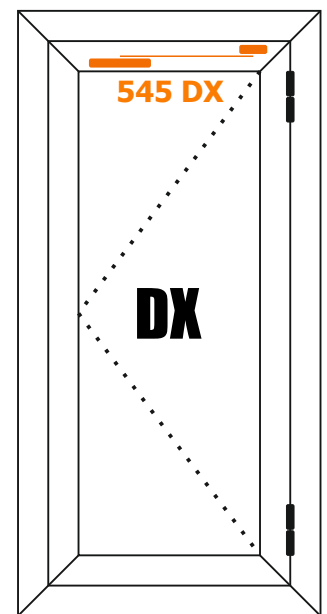
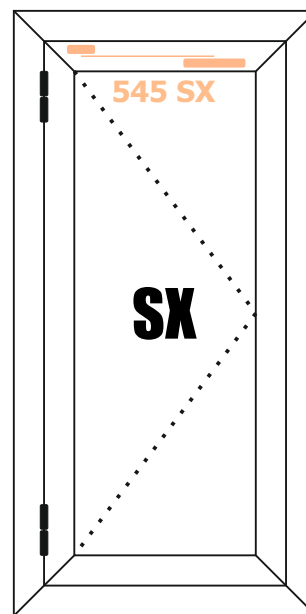
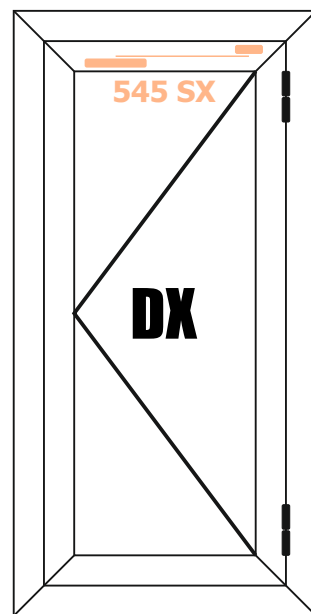
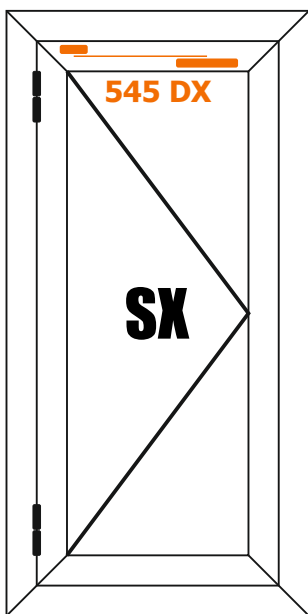
**ACCIAIO INOX**  
**STAINLESS STEEL**  
**ACERO INOXIDABLE**



**ZAMA**  
**ZAMAK**  
**ZAMAC**

**AMMORTIZZATORE**  
**SHOCK ABSORBER**  
**AMORTIGUADOR**

ARTICOLO ARTICLE ARTÍCULO	PROFILO PROFILE PERFIL	CONFEZIONE PACKING EMBALAJE
<b>545DX</b>	CAMERA EUROPEA <b>TUTTE</b> CAMERA ERRE 40 NNC 40-SISTEMA 1 EUROPEAN CHAMBER <b>ALL</b> ERRE 40 CHAMBER CAMARA EUROPEA <b>TODAS</b> CAMARA ERRE 40	<b>25</b>
<b>545SX</b>		



**APERTURA INTERNA VISTA INTERNA**  
**INTERNAL OPENING INTERNAL VIEW**  
**APERTURA INTERNA VISTA INTERNA**

**APERTURA ESTERNA VISTA INTERNA**  
**EXTERNAL OPENING INTERNAL VIEW**  
**APERTURA ESTERNA VISTA INTERNA**